
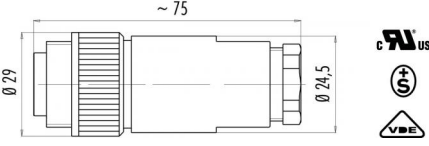
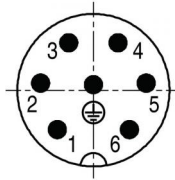


# Product sheet

## Output connector



Product	<b>Contacts: 6+PE, cable plug connector with pinch ring, PG 11 with VDE, ETS, UL approval</b>	Area	<b>RD24 Power Series 692/693</b>
Pole	<b>6+PE</b>	Article number	<b>99 4217 110 07</b>

Illustration	Scale drawing	Contact Arrangement																								
		 <table border="1" style="margin-left: auto; margin-right: auto;"> <thead> <tr> <th></th> <th>X</th> <th>Y</th> </tr> </thead> <tbody> <tr> <td>1</td> <td>-3,25</td> <td>-3,54</td> </tr> <tr> <td>2</td> <td>-4,76</td> <td>0,63</td> </tr> <tr> <td>3</td> <td>-2,22</td> <td>4,26</td> </tr> <tr> <td>4</td> <td>2,22</td> <td>4,26</td> </tr> <tr> <td>5</td> <td>4,76</td> <td>0,63</td> </tr> <tr> <td>6</td> <td>3,25</td> <td>-3,54</td> </tr> <tr> <td>PE</td> <td>0,00</td> <td>0,50</td> </tr> </tbody> </table>		X	Y	1	-3,25	-3,54	2	-4,76	0,63	3	-2,22	4,26	4	2,22	4,26	5	4,76	0,63	6	3,25	-3,54	PE	0,00	0,50
	X	Y																								
1	-3,25	-3,54																								
2	-4,76	0,63																								
3	-2,22	4,26																								
4	2,22	4,26																								
5	4,76	0,63																								
6	3,25	-3,54																								
PE	0,00	0,50																								

You can find the item description on the next page.

## Technical data

### Common values

Connector Design	Cable plug connector
Connector locking system	screw
Termination	Screwing
Wire gauge (mm)	0.34 -1.5 mm <sup>2</sup>
Wire gauge (AWG)	-
Cable outlet	8 - 10 mm
Upper temperature	100 °C
Lower temperature	-40 °C

### Electrical values

Rated voltage	250 V
Rated impulse voltage	4000 V
Pollution degree	3
Overvoltage category	III
Material group	III
Rated current (40°C)	10 A (8 A UL)
Volume resistivity	≤ 5 mΩ
EMV compliance	not shielded
Degree of protection	IP67
Mechanical operation	> 500 mating cycles

### Material

Material of contact	CuZn (Brass)
Contact plating	Ag (Silver)
Material of contact body	PBT (UL 94 V-0)
Material of housing	PBT (UL 94 V-0)

Contacts: 6+PE, cable plug connector with pinch ring, PG 11 with VDE, ETS, UL approval, screw,



Product	<b>Contacts: 6+PE, cable plug connector with pinch ring, PG 11 with VDE, ETS, UL approval</b>	Area	<b>RD24 Power Series 692/693</b>
Pole	<b>6+PE</b>	Article number	<b>99 4217 110 07</b>

### Item description

