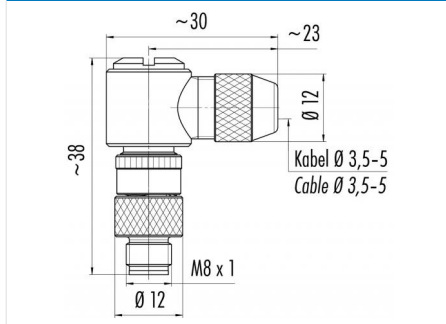


Product	Contacts: 4, Male angled connector, shieldable, solder	Area	M8 Series 768
Pole	4	Article number	99 3367 00 04

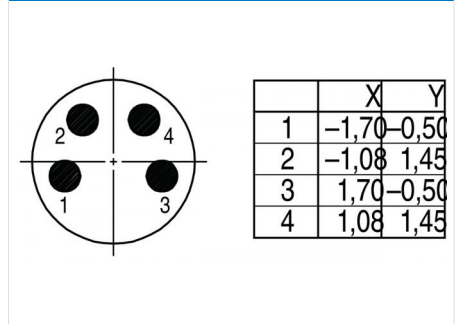
Illustration



Scale drawing



Contact Arrangement



You can find the item description and assembly instruction on the next page.

Technical data

Common values

Connector Design	Cable plug connector
Connector locking system	screw
Termination	Solder
Wire gauge (mm)	0.25 mm ²
Wire gauge (AWG)	24
Cable outlet	3.5 - 5 mm
Upper temperature	85 °C
Lower temperature	-40 °C

Electrical values

Rated voltage	30 V
Rated impulse voltage	800 V
Pollution degree	3
Overvoltage category	II
Material group	III
Rated current (40°C)	4 A
Volume resistivity	≤ 3 mΩ
EMV compliance	geschirmt
Degree of protection	IP67
Mechanical operation	> 100 mating cycles

Material

Material of contact	CuZn (Brass)
Contact plating	Au (Gold)
Material of contact body	PA (UL 94 HB)
Material of housing	PBT/ PA/ die-cast zinc

Contacts: 4, Male angled connector, shieldable, solder

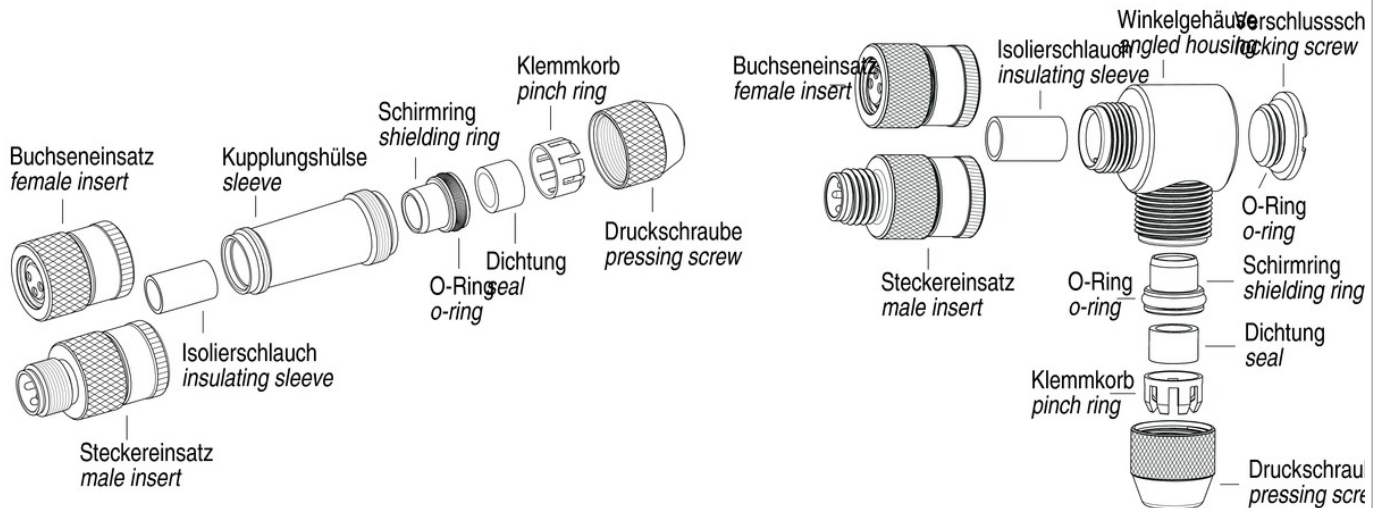
Product
Pole

Contacts: 4, Male angled connector,
shieldable, solder
4

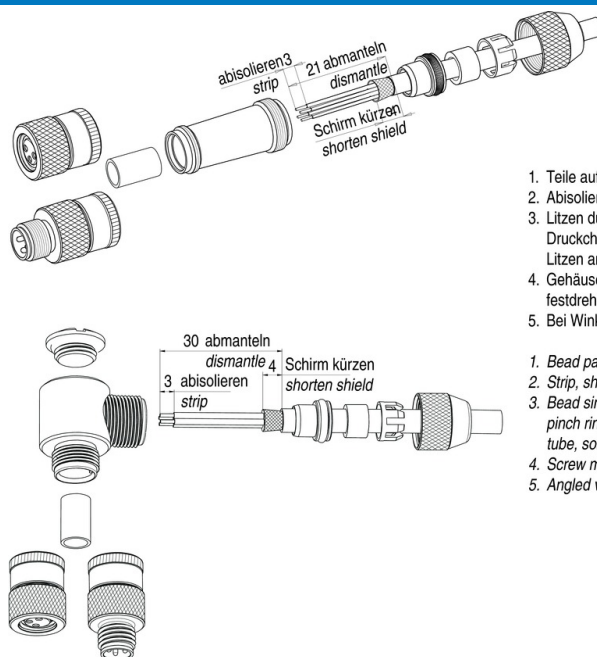
Area
Article number

M8 Series 768
99 3367 00 04

Item description



Installation instructions / Mounting cutout



1. Teile auffädeln.
2. Abisolieren, Schirm kürzen, aufweiten und um Schirmring legen.
3. Litzen durch Gehäuse fädeln, Schirmring, Dichtung, Klemmkorb Druckschraube andrehen, um das Kabel zu fixieren. Isolierschlauch Litzen anlöten und Isolierschlauch montieren.
4. Gehäuse mit Stecker- bzw. Buchseneinsatz verschrauben und D festdrehen.
5. Bei Winkelversion Verschlusschraube anziehen.

1. Bead parts on cable.
2. Strip, shorten, widen shield and lay around shielding ring.
3. Bead single wires through housing, mount shieldingring, sealing pinch ring. Slightly tighten pressing screw to fix the cable. Bead i tube, solder single wires and mount insulating tube.
4. Screw male or female contact carrier to housing and tighten pres
5. Angled version: tighten locking screw.

Product

**Contacts: 4, Male angled connector,
shieldable, solder**

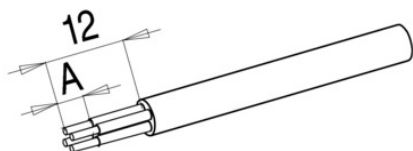
Area
Article number

**M8 Series 768
99 3367 00 04**

Pole

4

Installation instructions / Mounting cutout



	Schraubklemmversion screw connection	Lötversion solder version
Maß A/mm measure A/mm	4	3