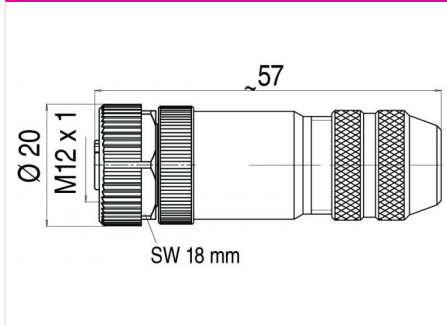


| | | | |
|---------|--|----------------|-------------------------|
| Product | Contacts: 5, Female cable connector, shieldable, screw terminal connection, static ring version with die-cast threaded ring, with UL approval | Area | M12-B Series 715 |
| Pole | 5 | Article number | 99 1436 910 05 |

Illustration



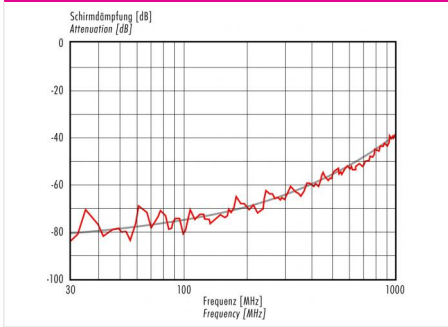
Scale drawing



Contact Arrangement

| | X | Y |
|---|-------|-------|
| 1 | -2,50 | 0,00 |
| 2 | 0,00 | 2,50 |
| 3 | 2,50 | 0,00 |
| 4 | 0,00 | -2,50 |
| 5 | 0,00 | 0,00 |

Attenuation characteristic



You can find the item description and assembly instruction on the next page.

Technical data

Common values

| | |
|--------------------------|------------------------|
| Connector Design | Female cable connector |
| Connector locking system | screw |
| Termination | Screwing |
| Wire gauge (mm) | 0.75 mm ² |
| Wire gauge (AWG) | 18 |
| Cable outlet | 6.5 - 8.5 mm |
| Upper temperature | 85 °C |
| Lower temperature | -40 °C |

Electrical values

| | |
|-----------------------|---------------------|
| Rated voltage | 125 V |
| Rated impulse voltage | 1500 V |
| Pollution degree | 3 |
| Overvoltage category | II |
| Material group | III |
| Rated current (40°C) | 4 A |
| Volume resistivity | ≤ 3 mΩ |
| EMV compliance | shielded |
| Degree of protection | IP67 |
| Mechanical operation | > 100 mating cycles |

Cable data

| | |
|------------------------------|---|
| material housing | - |
| Insulation single lead | - |
| Single lead structure | - |
| Conductor resistance | - |
| Bending radius cable fixed | - |
| Bending radius cable movable | - |

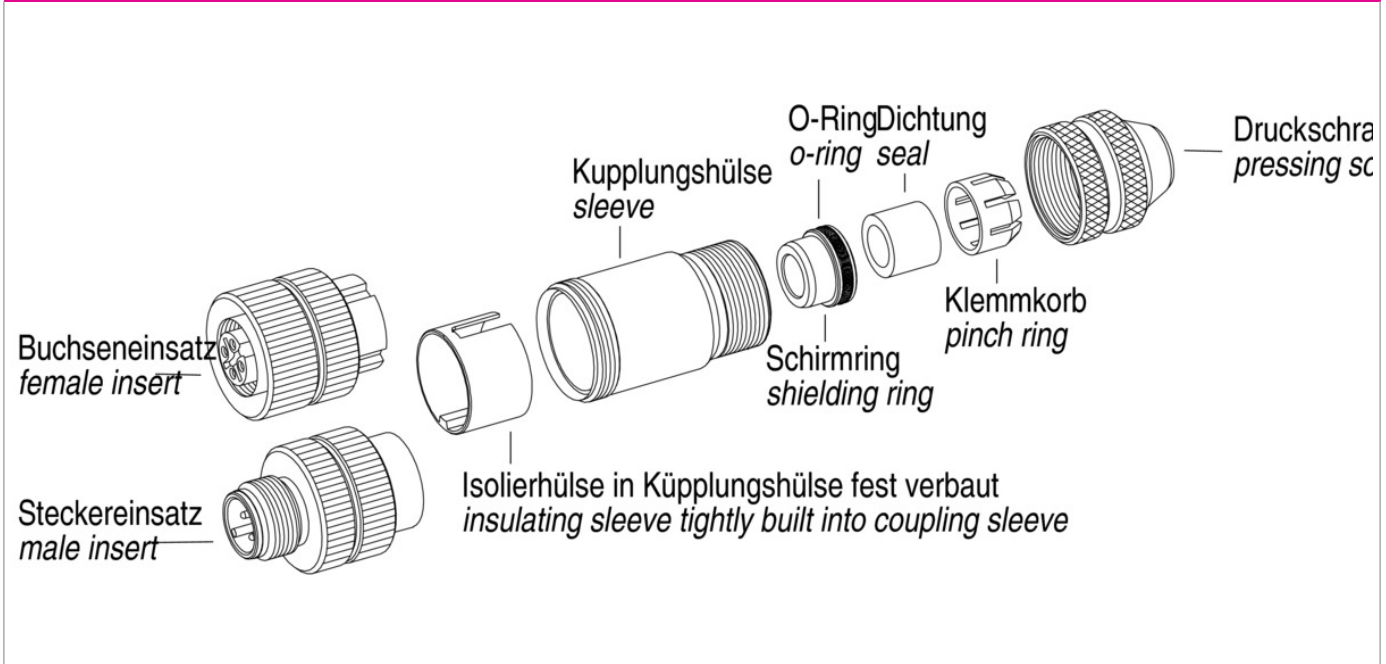
Material

| | |
|--------------------------|---|
| Material of contact | CuZn (Brass) |
| Contact plating | Au (Gold) |
| Material of contact body | PA |
| Material of housing | PA, nickel-plated zinc die casting/ PA |

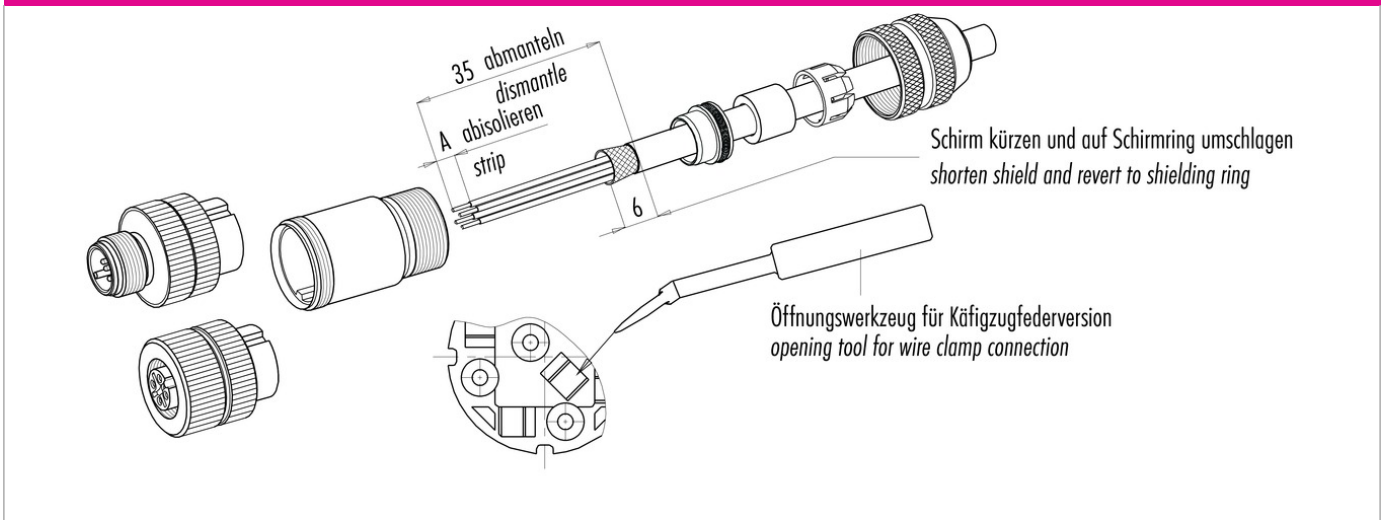
cable outlet: 6.5 - 8.5 mm, Contacts: 5, Female cable connector, shieldable, screw terminal connection, static ring version, with UL approval

| | | | |
|---------|--|------------------------|--|
| Product | Contacts: 5, Female cable connector, shieldable, screw terminal connection, static ring version with die-cast threaded ring, with UL approval | Area Article number | M12-B Series 715 99 1436 910 05 |
| Pole | 5 | | |

Item description



Installation instructions / Mounting cutout



| | Schraubklemmversion screw connection | Käfigzugfederverversion wire clamp connection |
|-----------------------|--------------------------------------|---|
| Maß A/mm measure A/mm | 5 | 7 |