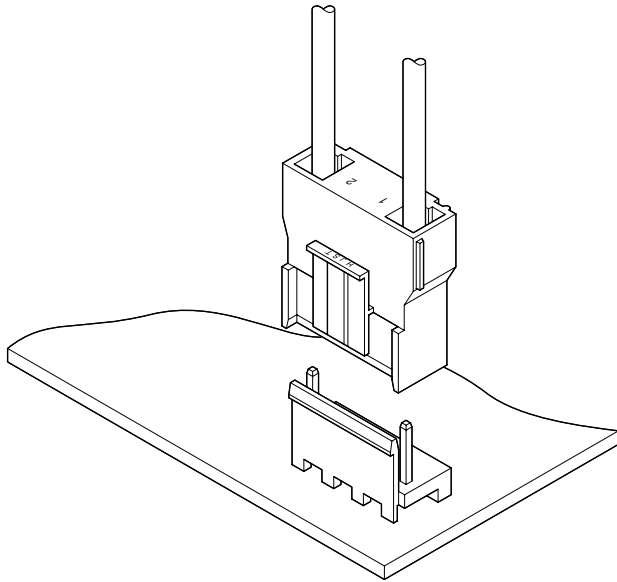




VT CONNECTOR

11.88mm pitch/Disconnectable Crimp style connectors



The VT connector is a 11.88mm pitch disconnectable crimp style connector with current rating of 12A. It has features such as the PC board locking device, misinsertion preventive construction and arm-lock mechanism. Its header is applicable to reinforced PC boards with eyelets.

- Connectable to vinyl insulated flat cables
- Use of PC board locking device
- Correct and secure mating
- Applicable to reinforced PC boards with eyelets

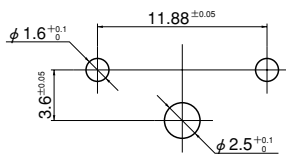
Specifications

- Current rating: 12A AC, DC (AWG #16)
- Voltage rating: 250V AC, DC
- Temperature range: -25°C to +85°C
(including temperature rise in applying electrical current)
- Contact resistance: Initial value/10m Ω max.
After environmental testing/20m Ω max.
- Insulation resistance: 1,000M Ω min.
- Withstanding voltage: 1,500V AC/minute
- Applicable wire: AWG #20 to #16
- Applicable PC board thickness: 1.6mm
- * Compliant with RoHS.
- * Refer to "General Instruction and Notice when using Terminals and Connectors" at the end of this catalog.
- * Contact JST for details.

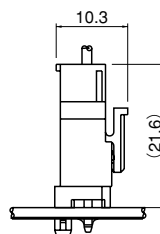
Standards

- Ⓜ Recognized E60389
- Ⓢ Certified LR20812
- Ⓡ R50068570

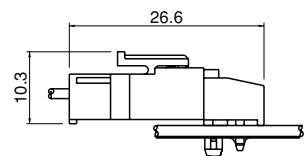
PC board layout (viewed from component side) and Assembly layout



Top entry type



Side entry type

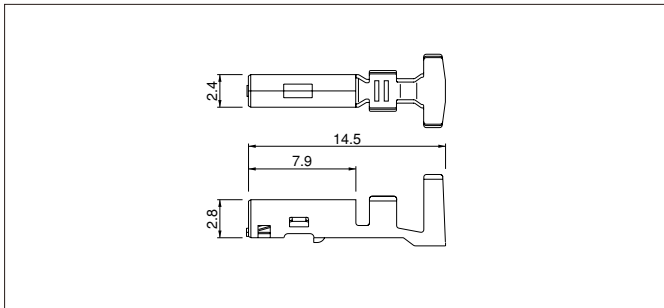


Note: 1. Tolerances are non-cumulative: ± 0.05 mm for all centers.

2. Hole dimensions differ according to the kind of PC board and piercing method. The dimensions above should serve as a guideline. Contact JST for details.

VT CONNECTOR

Contact

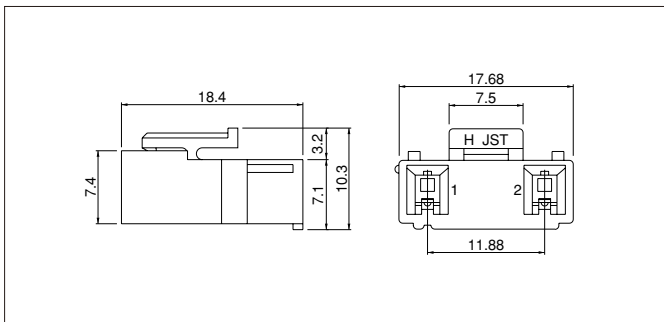


Model No.	Applicable wire		Q'ty / reel
	AWG #	Insulation O.D. (mm)	
SVT-41T-P1.1	20~16	2.7~3.9	2,500

Material and Finish
Alloy (phosphor bronze system), tin-plated (reflow treatment)

RoHS compliance				
Contact	Crimping machine	Applicator		
		Crimp applicator	Dies	Crimp applicator with dies
SVT-41T-P1.1	AP-K2N	MKS-L	MK/SVT-41-11	APLMK SVT41-11

Housing



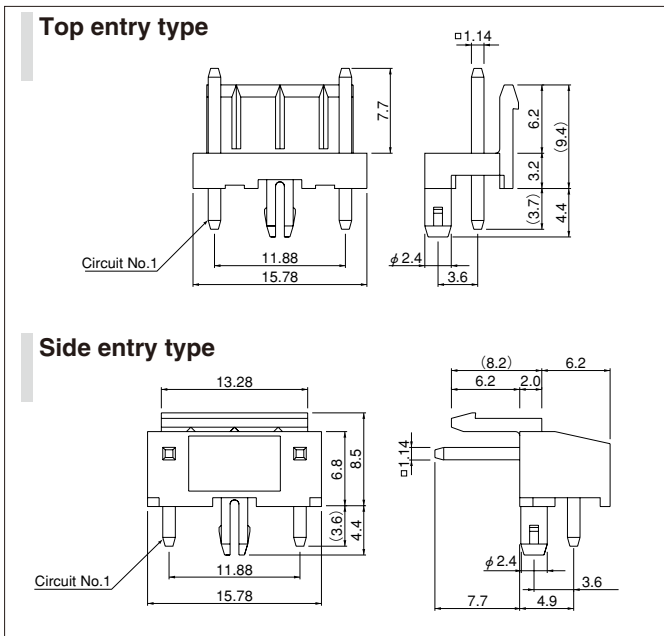
Circuits	Model No.	Q'ty / bag
2	VTR-02	500

Material
PA 66, UL94V-0, natural (white)

RoHS compliance
 <For reference> As the color identification, the following alphabet shall be put in the underlined part. For availability, delivery and minimum order quantity, contact JST.

ex. **VTR-02-oo**
 (blank)...natural (white)
 Z...ivory

Locking header



Circuits	Model No.		Q'ty / box	
	Top entry type	Side entry type	Top entry type	Side entry type
2	B02B-VT	S02B-VT	500	250

Material and Finish
Post: Copper, tin-plated (reflow treatment) Wafer: Glass-filled PA 66, UL94V-0, natural (ivory)

RoHS compliance This product displays (LF)(SN) on a label.