

Product sheet

Miniature connector

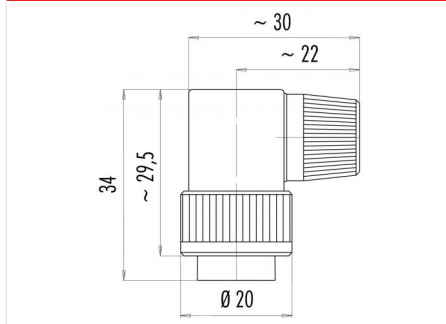


Product	Contacts: 24, Male angled connector, cable outlet 6 - 8 mm	Area	Bayonet IP40 Series 678
Pole	24	Article number	99 0669 72 24

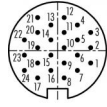
Illustration



Scale drawing



Contact Arrangement



	X	Y
1	4,00	-1,50
2	4,00	0,35
3	4,00	2,20
4	7,40	3,10
5	7,40	1,30
6	7,40	-0,55
7	7,40	-2,40
8	0,80	-3,30
9	0,80	-1,50
10	0,80	0,35
11	0,80	2,20
12	0,80	4,00
13	-0,80	3,10
14	-0,80	1,30
15	-0,80	-0,55
16	-0,80	-2,40
17	-7,40	-3,30
18	-7,40	-1,50
19	-7,40	0,35
20	-7,40	2,20
21	-7,40	4,00
22	-4,00	1,30
23	-4,00	-0,55
24	-4,00	-2,40

You can find the item description on the next page.

Technical data

Common values

Connector Design	Male angled connector
Connector locking system	Bayonet
Termination	Solder
Wire gauge (mm)	0.14 mm ²
Wire gauge (AWG)	26
Cable outlet	6 - 8 mm
Upper temperature	85 °C
Lower temperature	-40 °C

Electrical values

Rated voltage	60 V
Rated impulse voltage	500 V
Pollution degree	1
Overvoltage category	I
Material group	III
Rated current (40°C)	1 A
Volume resistivity	≤ 3 mΩ
EMV compliance	not shielded
Degree of protection	IP40
Mechanical operation	> 500 mating cycles

Material

Material of contact	CuZn (Brass)
Contact plating	Au (Gold)
Material of contact body	PBT (UL 94 V-0)
Material of housing	PA (UL 94 V-0)

Contacts: 24, Male angled connector, cable outlet 6 - 8 mm

Product

Contacts: 24, Male angled connector, cable outlet 6 - 8 mm
24

Area
Article number

Bayonet IP40 Series 678
99 0669 72 24

Pole

Item description

