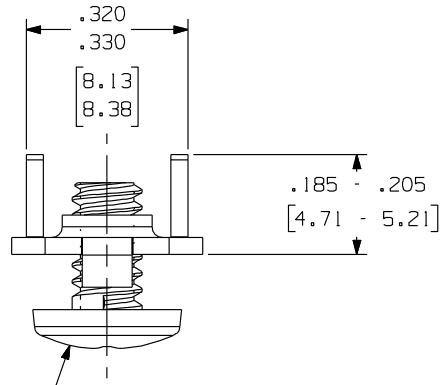


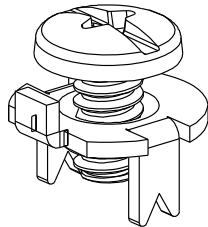
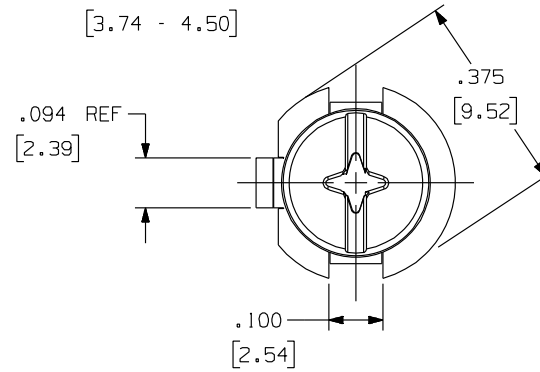
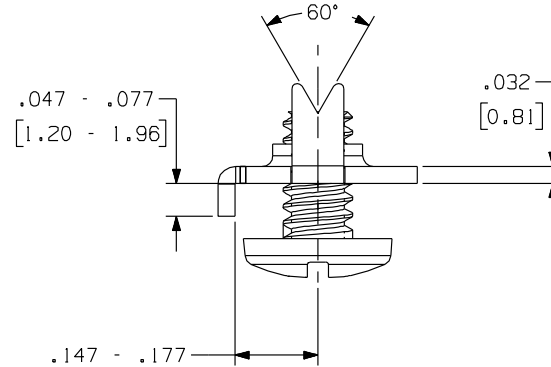
934 ST.SC

Rev.

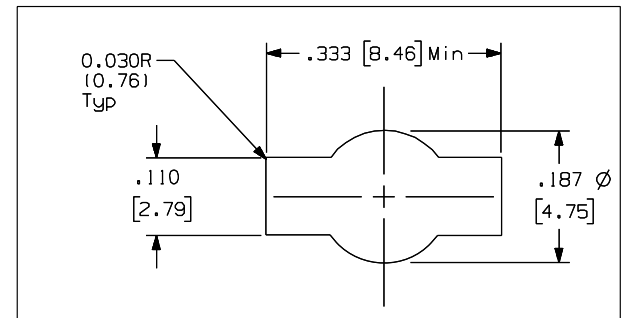
APPLICATION DRAWING



Stainless Steel
Combination Head Screw
1/4" (6.35mm) X 6-32 Screw
Inserted Staked and Backed Out



TYPICAL PCB
MOUNTING CONFIGURATION



RoHS COMPLIANT

Zierick Product Related Recommendations are general guidelines only. Since each customer's design, process and application is different it is necessary that customers thoroughly test our products in specific applications.

ZIERICK

Radio Circle Drive
Mount Kisco, New York 10549

BINDING POST
WITH COMBINATION
HEAD SCREW

THIS DOCUMENT AND THE CONFIDENTIAL INFORMATION CONTAINED HERE ARE THE PROPERTY OF ZIERICK MANUFACTURING CORPORATION AND MAY NOT BE USED IN WHOLE OR IN PART IN ANY WAY, OR COMMUNICATED TO ANY PARTY OTHER THAN THE RECIPIENT WITHOUT THE EXPRESS PRIOR WRITTEN CONSENT OF ZIERICK MANUFACTURING CORPORATION.

934 ST.SC