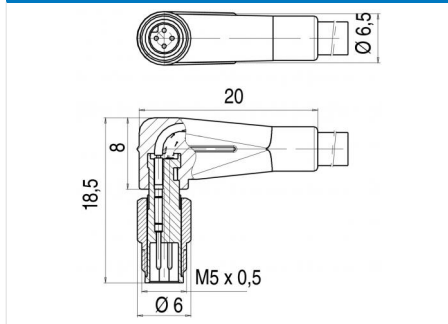


| | | | |
|---------|----------------------------------------------------------------|----------------|----------------------|
| Product | Contacts: 3, Male angled connector, overmoulded, M5x0.5 | Area | M5 Series 707 |
| Pole | 3 | Article number | 79 3103 52 03 |

Illustration



Scale drawing



Contact Arrangement

| | X | Y |
|---|-------|-------|
| 1 | -0,63 | -0,63 |
| 2 | - | - |
| 3 | 0,63 | 0,63 |
| 4 | -0,63 | 0,63 |

1 braun/brown
 2 nicht konfektioniert/not assembled
 3 blau/blue
 4 schwarz/black

Technical data

Common values

| | |
|--------------------------|--------------------------------|
| Connector Design | Male angled connector |
| Connector locking system | screw |
| Termination | crimp, injection-moulded cable |
| Wire gauge (mm) | 0.14 mm ² |
| Wire gauge (AWG) | 26 |
| Cable outlet | - |
| Upper temperature | 80 °C |
| Lower temperature | -25 °C |

Cable data

| | |
|----------------------------------------|----------|
| material housing | PUR |
| Insulation single lead | PVC |
| Single lead structure | 18 x 0.1 |
| Cable sheath Ø | 3.1 |
| Conductor resistance | 148Ω/Km |
| Temperature range cable movable c from | -5 |
| Temperature range cable movable c to | 80 |
| Temperature range cable fixed c from | -25 |
| Temperature range cable fixed c to | 80 |

Electrical values

| | |
|-----------------------|---------------------|
| Rated voltage | 60 V |
| Rated impulse voltage | 800 V |
| Pollution degree | 3 |
| Overvoltage category | II |
| Material group | I |
| Rated current (40°C) | 1 A |
| Volume resistivity | ≤ 3 mΩ |
| EMV compliance | nicht geschirmt |
| Degree of protection | IP67 |
| Mechanical operation | > 100 mating cycles |

Material

| | |
|--------------------------|--------------|
| Material of contact | CuZn (Brass) |
| Contact plating | Au (Gold) |
| Material of contact body | PUR |
| Material of housing | PUR |

Contacts: 3, Cable length: 2, Cable: 3 x 0.14 mm² PUR, male angled connector, overmoulded, M5 x 0.5