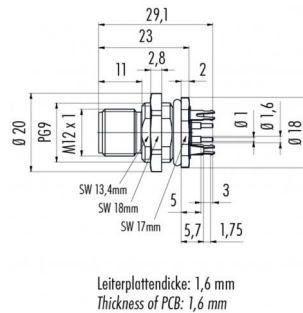


Product **Contacts: 8, Male panel mount connector, screwed from front, dip-soldered, with shielding sheet, PG 9**  
 Area **M12-A Series 713/763**  
 Article number **86 0531 1120 00008**

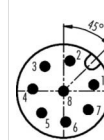
### Illustration



### Scale drawing



### Contact Arrangement



	X	Y
1	2,69	0,57
2	0,57	2,69
3	-1,66	2,20
4	-2,75	0,19
5	-1,94	-1,94
6	0,19	-2,74
7	2,20	-1,65
8	0,00	0,00

- 1 weiß/white
- 2 braun/brown
- 3 grün/green
- 4 gelb/yellow
- 5 grau/grey
- 6 rosa/pink
- 7 blau/blue
- 8 rot/red

Geschimte Versionen: Schirm auf Gehäuse oder Pin 8  
Shielded versions: shield on housing or pin 8

You can find the assembly instruction on the next page.

## Technical data

### General features

Connector Design male panel mount connector  
 Connector locking system bolted  
 Termination dip-solder  
 Upper temperature 85 °C  
 Lower temperature -40 °C

### Cable data

Approval 1 UL

### Electrical parameters

Rated voltage 30 V  
 Rated impulse voltage 800 V  
 Pollution degree 3  
 Overvoltage category II  
 Material group II  
 Rated current (40°C) 2 A  
 Volume resistivity ≤ 3 mΩ  
 EMV compliance not shielded  
 Degree of protection IP68  
 Mechanical operation > 100 Mating cycles

### Material

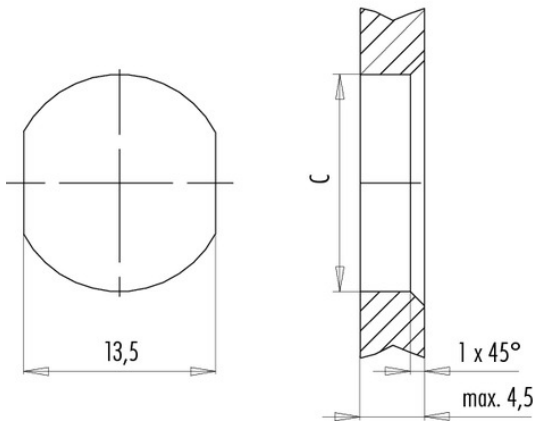
Material of contact CuZn (Messing)  
 Contact plating Au (gold), shielding sheet  
 Material of contact body PA

Product **Contacts: 8, Male panel mount connector, screwed from front, dip-soldered, with shielding sheet, PG 9**  
 Area **M12-A Series 713/763**  
 Article number **86 0531 1120 00008**

Installation instructions / Mounting cutout

Mit Fläche als Verdrehschutz  
With flats as anti-rotation device

Mit Durchgangsbohrung  
With bore hole



	C
PG 9	15,3
M16x1,5	16,1

Anzugsdrehmoment/Tightening moment

Metallgehäuse/Metal housing 6,25 Nm  
 Kunststoffgehäuse/Plastic housing 3,75 Nm

Installation instructions / Mounting cutout

