

# Product sheet

## Miniature connector

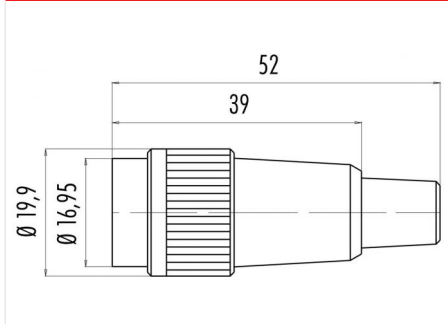


Product	<b>Contacts: 16, female cable connector, cable outlet 6 - 8 mm</b>	Area	<b>Bayonet IP40 Series 678</b>
Pole	<b>16</b>	Article number	<b>99 0658 02 16</b>

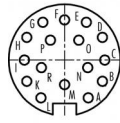
### Illustration



### Scale drawing



### Contact Arrangement



	X	Y
A	2,50	-4,00
B	4,00	-2,25
C	4,25	0,00
D	4,00	2,40
E	2,30	4,00
F	0,00	4,25
G	-2,30	4,00
H	-4,00	2,40
I	-4,25	0,00
K	-4,00	-2,25
L	-2,50	-4,00
M	0,00	-2,60
N	2,45	-0,80
O	1,50	2,10
P	-1,50	2,10
R	-2,40	-0,80

You can find the item description on the next page.

## Technical data

### Common values

Connector Design	Female cable connector
Connector locking system	Bayonet
Termination	Solder
Wire gauge (mm)	0.25 mm <sup>2</sup>
Wire gauge (AWG)	24
Cable outlet	6 - 8 mm
Upper temperature	85 °C
Lower temperature	-40 °C

### Electrical values

Rated voltage	60 V
Rated impulse voltage	500 V
Pollution degree	1
Overvoltage category	I
Material group	III
Rated current (40°C)	3 A
Volume resistivity	≤ 3 mΩ
EMV compliance	not shielded
Degree of protection	IP40
Mechanical operation	> 500 mating cycles

### Material

Material of contact	CuSn (Bronze)
Contact plating	Au (Gold)
Material of contact body	PBT (UL 94 V-0)
Material of housing	PA (UL 94 V-0)

Contacts: 16, female cable connector, cable outlet 6 - 8 mm

Product	<b>Contacts: 16, female cable connector, cable outlet 6 - 8 mm</b>	Area	<b>Bayonet IP40 Series 678</b>
Pole	<b>16</b>	Article number	<b>99 0658 02 16</b>

Item description

