
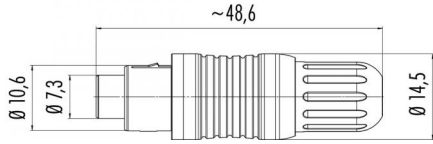
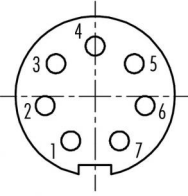


Product sheet

Subminiature connector



Product	Contacts 7, Female cable connector IP 67, shielded	Area	Push-Pull IP67 Series 430
Pole	7	Article number	99 4926 00 07

Illustration	Scale drawing	Contact Arrangement																								
		 <table border="1" style="margin-left: auto; margin-right: auto;"> <thead> <tr> <th></th> <th>X</th> <th>Y</th> </tr> </thead> <tbody> <tr><td>1</td><td>0,90</td><td>-1,65</td></tr> <tr><td>2</td><td>1,85</td><td>-0,35</td></tr> <tr><td>3</td><td>1,45</td><td>1,20</td></tr> <tr><td>4</td><td>0,00</td><td>1,85</td></tr> <tr><td>5</td><td>-1,45</td><td>1,20</td></tr> <tr><td>6</td><td>-1,85</td><td>-0,35</td></tr> <tr><td>7</td><td>-0,90</td><td>-1,65</td></tr> </tbody> </table>		X	Y	1	0,90	-1,65	2	1,85	-0,35	3	1,45	1,20	4	0,00	1,85	5	-1,45	1,20	6	-1,85	-0,35	7	-0,90	-1,65
	X	Y																								
1	0,90	-1,65																								
2	1,85	-0,35																								
3	1,45	1,20																								
4	0,00	1,85																								
5	-1,45	1,20																								
6	-1,85	-0,35																								
7	-0,90	-1,65																								

You can find the item description on the next page.

Technical data

Common values

Connector Design	Female cable connector
Connector locking system	Push-Pull
Termination	Solder
Wire gauge (mm)	0.14 mm ²
Wire gauge (AWG)	26
Cable outlet	3.5 - 5 mm
Upper temperature	85 °C
Lower temperature	-40 °C

Cable data

material housing	-
Insulation single lead	-
Single lead structure	-
Conductor resistance	-

Electrical values

Rated voltage	125 V
Rated impulse voltage	1500 V
Pollution degree	2
Overvoltage category	I
Material group	II
Rated current (40°C)	1 A
Volume resistivity	≤ 5 mΩ
EMV compliance	shieldable
Degree of protection	IP67
Mechanical operation	> 500 mating cycles

Material

Material of contact	CuSn (Bronze)
Contact plating	Au (Gold)
Material of contact body	PBT, PA
Material of housing	PA

Contacts: 7, Female cable connector IP 67, shielded

Product sheet

Subminiature connector



Product

**Contacts 7, Female cable connector IP 67,
shielded**
7

Area
Article number

Push-Pull IP67 Series 430
99 4926 00 07

Pole

Item description

