

Product 772/775: Protection cap for M5 distributor
Area Distributor

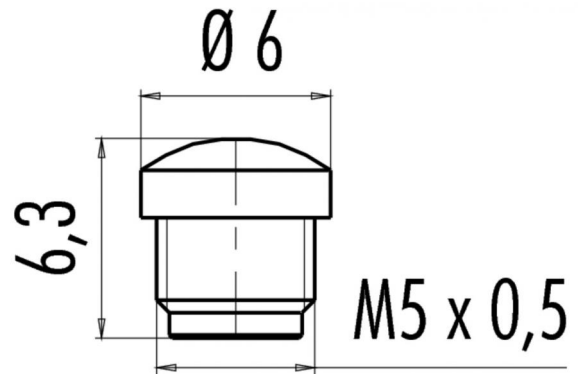
Article number 08 2610 000 000

Date: 2015-06-04 - Page 1 of 1

Illustration



Scale drawing



Matching products

- Ready for connection 4-way distributor M5
- Ready for connection 8-way distributor M5
- Pluggable 4-way distributor M5
- Pluggable 8-way distributor M5