

Product sheet

Subminiature connector

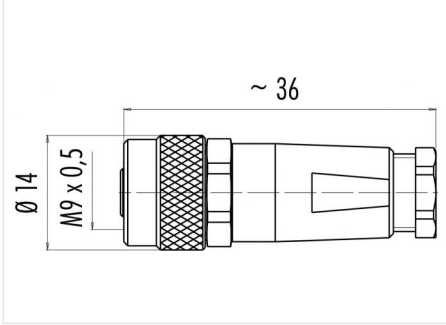


Product	Contacts: 5, Female cable connector, 360° EMC safe, cable outlet 3.5-5 mm	Area	M9 IP67 Series 712
Pole	5	Article number	99 0414 10 05

Illustration



Scale drawing



Contact Arrangement

	X	Y
1	-1,00	-1,37
2	-1,61	0,52
3	0,00	1,70
4	1,61	0,52
5	1,00	-1,37

You can find the item description on the next page.

Technical data

Common values

Connector Design	Female cable connector
Connector locking system	screw
Termination	Solder
Wire gauge (mm)	0.25 mm ²
Wire gauge (AWG)	24
Cable outlet	3.5 - 5 mm
Upper temperature	85 °C
Lower temperature	-40 °C

Cable data

material housing	-
Insulation single lead	-
Single lead structure	-
Conductor resistance	-

Electrical values

Rated voltage	125 V
Rated impulse voltage	1500 V
Pollution degree	1
Overvoltage category	II
Material group	III
Rated current (40°C)	3 A
Volume resistivity	≤ 3 mΩ
EMV compliance	shieldable
Degree of protection	IP67
Mechanical operation	> 500 mating cycles

Material

Material of contact	CuSn (Bronze)
Contact plating	Au (Gold)
Material of contact body	PA (UL 94 V-0)
Material of housing	CuZn (Brass nickel-plated)

Contacts: 5, Female cable connector, 360° EMC safe, shieldable, cable outlet 3.5-5 mm

Product sheet

Subminiature connector



Product

**Contacts: 5, Female cable connector, 360°
EMC safe, cable outlet 3.5-5 mm**

Area

M9 IP67 Series 712

Pole

5

Article number

99 0414 10 05

Item description

