

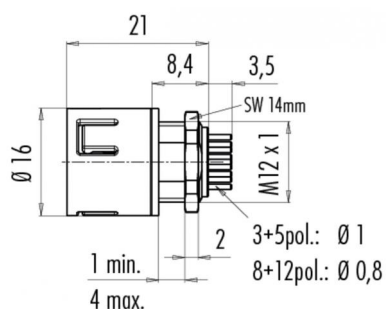
Product **Contacts: 3, Male panel mount connector, lightgrey, dip-solder**

Area **Snap-in IP67, miniature Series**
Article number **99 9107 490 03**

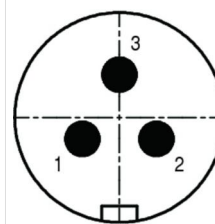
Illustration



Scale drawing



Contact Arrangement



	X	Y
1	-2,43	-1,40
2	2,43	-1,40
3	0,00	2,80

You can find the item description and assembly instruction on the next page.

Technical data

General features

Connector Design	male panel mount connector
Connector locking system	snap
Termination	dip-solder
Wire gauge (mm)	0,75 mm ²
Wire gauge (AWG)	20
Upper temperature	85 °C
Lower temperature	-40 °C

Electrical parameters

Rated voltage	250 V
Rated impulse voltage	2500 V
Pollution degree	2
Overvoltage category	II
Material group	II
Rated current (40°C)	7 A
Volume resistivity	≤ 3 mΩ
EMV compliance	not shielded
Degree of protection	IP67

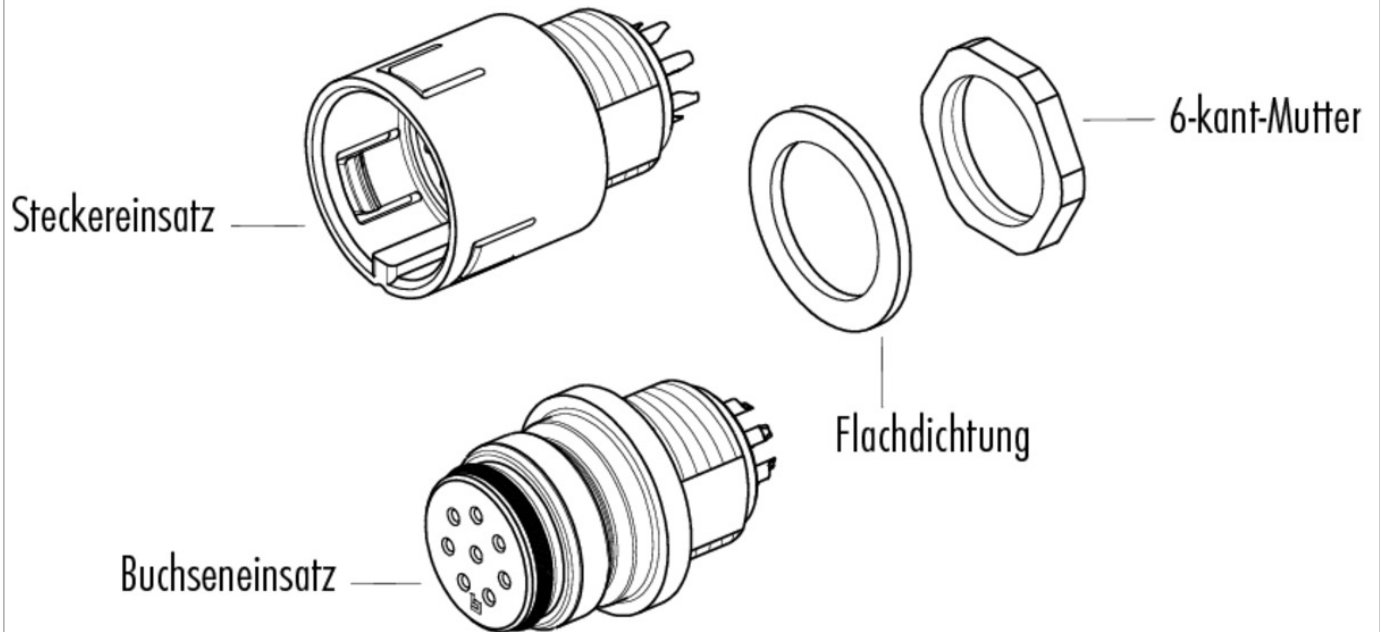
Material

Material of contact	CuSn (Bronze)
Contact plating	Au (gold)
Material of contact body	PA (UL 94 V-0)

Product **Contacts: 3, Male panel mount connector, lightgrey, dip-solder**

Area **Snap-in IP67, miniature Series**
Article number **99 9107 490 03**

Item description



Installation instructions / Mounting cutout

