

Product sheet

Output connector

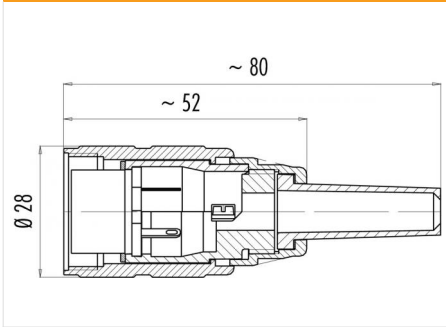


Product Pole	Contacts: 5, female cable connector 5	Area Article number	M25 Power Series 691 09 0038 00 05
--------------	---	---------------------	--

Illustration



Scale drawing



Contact Arrangement

	X	Y
1	-3,05	-2,70
2	-5,00	3,10
3	0,00	4,10
4	5,00	3,10
5	3,05	-2,70

You can find the item description on the next page.

Technical data

Common values

Connector Design	Female cable connector
Connector locking system	screw
Termination	Solder
Wire gauge (mm)	1.50 mm ²
Wire gauge (AWG)	16
Cable outlet	5 - 8 mm
Upper temperature	85 °C
Lower temperature	-40 °C

Electrical values

Rated voltage	250 V
Rated impulse voltage	2500 V
Pollution degree	1
Overvoltage category	II
Material group	III
Rated current (40°C)	10 A
Volume resistivity	≤ 5 mΩ
EMV compliance	not shielded
Degree of protection	IP40
Mechanical operation	> 500 mating cycles

Material

Material of contact	CuZn (Brass)
Contact plating	Ag (Silver)
Material of contact body	PBT (UL 94 V-0)
Material of housing	GD-Al (anodised)

Contacts: 5, female cable connector

Product sheet

Output connector



Product
Pole

Contacts: 5, female cable connector
5

Area
Article number

M25 Power Series 691
09 0038 00 05

Item description

