

**Product sheet**  
**Miniature connector**

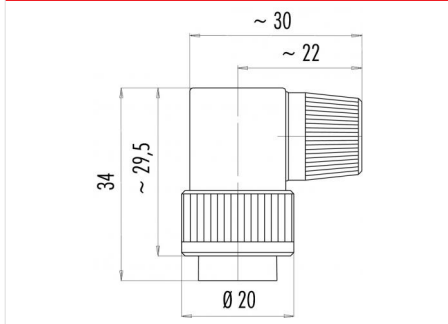


Product	<b>Contacts: 7, Male angled connector, cable outlet 4 – 6 mm</b>	Area	<b>Bayonet IP40 Series 678</b>
Pole	<b>7</b>	Article number	<b>99 0621 70 07</b>

**Illustration**



**Scale drawing**



**Contact Arrangement**

	X	Y
1	-1,75	-3,03
2	-3,50	0,00
3	-1,75	3,03
4	1,75	3,03
5	3,50	0,00
6	1,75	-3,03
7	0,00	0,00

You can find the item description on the next page.

**Technical data**

**Common values**

Connector Design	Male angled connector
Connector locking system	Bayonet
Termination	Solder
Wire gauge (mm)	0.75 mm <sup>2</sup>
Wire gauge (AWG)	20
Cable outlet	4 - 6 mm
Upper temperature	85 °C
Lower temperature	-40 °C

**Electrical values**

Rated voltage	125 V
Rated impulse voltage	800 V
Pollution degree	1
Overvoltage category	I
Material group	III
Rated current (40°C)	5 A
Volume resistivity	≤ 5 mΩ
EMV compliance	not shielded
Degree of protection	IP40
Mechanical operation	> 500 mating cycles

**Material**

Material of contact	CuZn (Brass)
Contact plating	Ag (Silver)
Material of contact body	PBT (UL 94 V-0)
Material of housing	PA (UL 94 V-0)

**Contacts: 7, Male angled connector, cable outlet 4 – 6 mm**

Product	<b>Contacts: 7, Male angled connector, cable outlet 4 – 6 mm</b>	Area	<b>Bayonet IP40 Series 678</b>
Pole	<b>7</b>	Article number	<b>99 0621 70 07</b>

Item description

