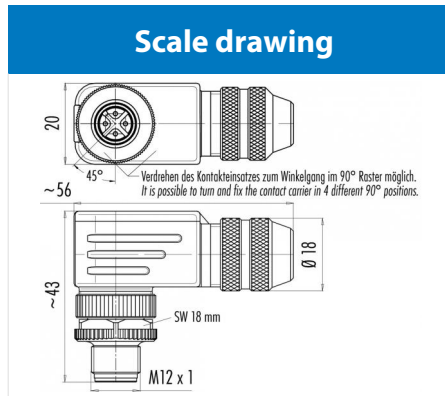


Product	<b>Contacts: 12, Male angled connector, shieldable, solder connection, with offset soldering surfaces, static ring version, with UL approval</b>	Area	<b>M12-A Series 713</b>
Pole	<b>12</b>	Article number	<b>99 1491 822 12</b>



**Contact Arrangement**

	X	Y
1	2,80	0,78
2	0,78	2,80
3	-1,09	2,69
4	-2,51	1,46
5	-2,88	-0,37
6	-2,05	-2,05
7	-0,37	-2,88
8	1,46	-2,51
9	2,69	-1,09
10	0,78	0,78
11	-1,06	0,29
12	0,29	-1,06

You can find the item description on the next page.

## Technical data

### Common values

Connector Design	Male angled connector
Connector locking system	screw
Termination	Solder
Wire gauge (mm)	0.25 mm <sup>2</sup>
Wire gauge (AWG)	24
Cable outlet	6 - 8 mm
Upper temperature	85 °C
Lower temperature	-40 °C

### Electrical values

Rated voltage	30 V
Rated impulse voltage	500 V
Pollution degree	3
Overvoltage category	II
Material group	III
Rated current (40°C)	1 A
Volume resistivity	≤ 3 mΩ
EMV compliance	geschirmt
Degree of protection	IP67
Mechanical operation	> 100 mating cycles

### Material

Material of contact	CuZn (Brass)
Contact plating	Au (Gold)
Material of contact body	PA
Material of housing	Nickel-plated zinc die casting

Contacts: 12, Cable outlet: 6-8 mm , male angled connector, shieldable, solder connection, with offset soldering surfaces, static ring version, with UL approval

Product	<b>Contacts: 12, Male angled connector, shieldable, solder connection, with offset soldering surfaces, static ring version, with UL approval</b>	Area	<b>M12-A Series 713</b>
Pole	<b>12</b>	Article number	<b>99 1491 822 12</b>

### Item description

40  
A abisolieren strip  
abmanteln dismantle  
6

Isolierhülse in Kuppelungshülse fest verbaut  
insulating sleeve tightly built into coupling sleeve

Schirm kürzen, aufweiten und auf Schirmring umschlagen  
shorten and widening of shield and revert to shielding ring

Öffnungswerkzeug für Käfigzugfederversion  
opening tool for wire clamp connection

	Schraubklemmversion screw connection	Lötversion solder version	Käfigzugfederversion wire clamp connection
Maß A/mm measure A/mm	<b>5</b>	<b>3,5</b>	<b>7</b>

### Item description

Deckel  
cover

Dichtung  
seal

Gehäuse  
housing

O-Ring  
o-ring

Dichtung  
seal

Schirmring  
shielding ring

Klemmkorb  
pinch ring

Druckschraube  
pressing screw

Isolierhülse in Kuppelungshülse fest verbaut  
insulating sleeve tightly built into coupling sleeve

Steckereinsatz  
male insert

Buchseinsatz  
female insert