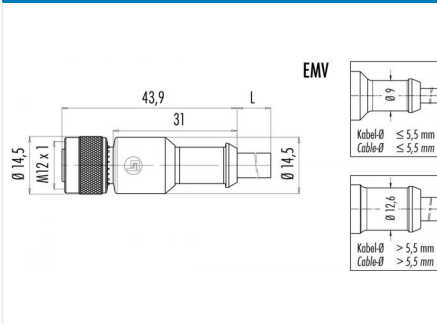


Product	Contacts: 4, Female cable connector, overmoulded, shielded	Area	M12-A Series 763
Pole	4	Article number	77 3530 0000 20704-0500

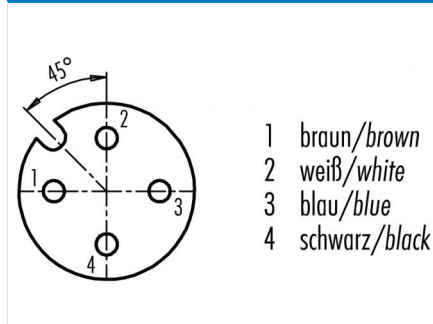
Illustration



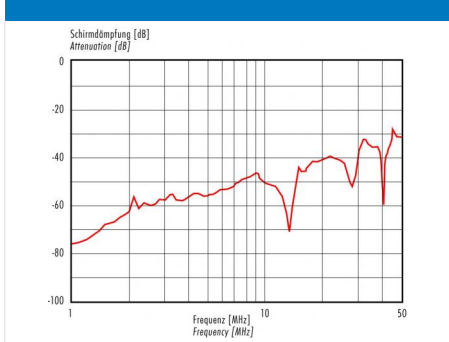
Scale drawing



Contact Arrangement



Attenuation characteristic



Technical data

Common values

Connector Design	Female cable connector
Connector locking system	screw
Termination	crimp, injection-moulded cable
Wire gauge (mm)	0.34 mm ²
Wire gauge (AWG)	22
Upper temperature	85 °C
Lower temperature	-25 °C

Electrical values

Rated voltage	250 V
Rated impulse voltage	2500 V
Pollution degree	3
Overvoltage category	II
Material group	II
Rated current (40°C)	4 A
Volume resistivity	≤ 3 mΩ
EMV compliance	shielded
Degree of protection	IP67
Mechanical operation	> 100 mating cycles

Material

Material of contact	CuSn (Bronze)
Contact plating	Au (Gold)
Material of contact body	PUR
Material of housing	PUR

Contacts: 4, Cable length 5 m, cable: 4 x 0.34 mm², PVC, female cable connector, overmoulded, shielded

Product	Contacts: 4, Female cable connector, overmoulded, shielded	Area	M12-A Series 763
Pole	4	Article number	77 3530 0000 20704-0500

Technical data

Cable data

material housing	PVC
Insulation single lead	PVC
Single lead structure	7 x 0.25
Cable sheath Ø	5
Conductor resistance	53Ω/Km
Temperature range cable movable c from	-5
Temperature range cable movable c to	70
Temperature range cable fixed c from	-25
Temperature range cable fixed c to	70
Bending radius cable fixed	25 mm
Bending radius cable movable	50 mm