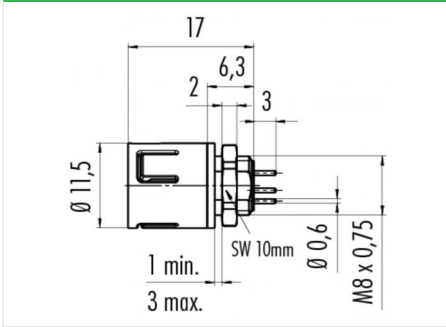


Product	<b>Contacts: 4, Male panel mount connector, dip-solder</b>
Area	<b>Snap-in IP67, subminiature Series</b>
Article number	<b>99 9211 490 04</b>

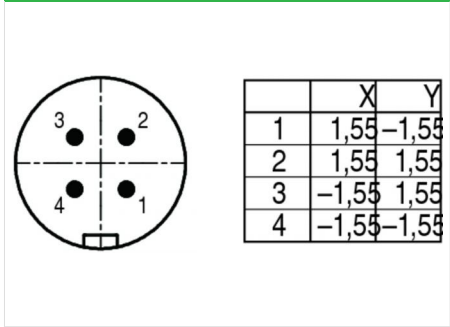
**Illustration**



**Scale drawing**



**Contact Arrangement**



You can find the assembly instruction on the next page.

**Technical data**

**General features**

Connector Design	male panel mount connector
Connector locking system	snap
Termination	dip-solder
Wire gauge (mm)	-
Wire gauge (AWG)	-
Cable outlet	-
Upper temperature	85 °C
Lower temperature	-25 °C

**Electrical parameters**

Rated voltage	125 V
Rated impulse voltage	1500 V
Pollution degree	2
Overvoltage category	II
Material group	II
Rated current (40°C)	2,5 A
Volume resistivity	≤ 3 mΩ
EMV compliance	not shielded
Degree of protection	IP67

**Material**

Material of contact	CuZn (Messing)
Contact plating	Au (gold)
Material of contact body	PA (UL 94 V-0)

Product

Contacts: 4, Male panel mount connector, dip-solder

Area

Snap-in IP67, subminiature Series

Article number

99 9211 490 04

Installation instructions / Mounting cutout

