

Product **Contacts 8: Female panel mount connector with X-coding, dip-solder, angled, contact carrier: fix**
 Area **M12-D, M12-X Series 825/876 X-coding**
 Article number **99 3782 213 08**

Illustration	Scale drawing	Contact Arrangement																											
		<table border="1" style="margin-left: auto; margin-right: auto;"> <thead> <tr> <th></th> <th>X</th> <th>Y</th> </tr> </thead> <tbody> <tr><td>1</td><td>-1,40</td><td>-2,80</td></tr> <tr><td>2</td><td>-2,80</td><td>-1,40</td></tr> <tr><td>3</td><td>-2,80</td><td>1,40</td></tr> <tr><td>4</td><td>-1,40</td><td>2,80</td></tr> <tr><td>5</td><td>1,40</td><td>2,80</td></tr> <tr><td>6</td><td>2,80</td><td>1,40</td></tr> <tr><td>7</td><td>2,80</td><td>-1,40</td></tr> <tr><td>8</td><td>1,40</td><td>-2,80</td></tr> </tbody> </table>		X	Y	1	-1,40	-2,80	2	-2,80	-1,40	3	-2,80	1,40	4	-1,40	2,80	5	1,40	2,80	6	2,80	1,40	7	2,80	-1,40	8	1,40	-2,80
	X	Y																											
1	-1,40	-2,80																											
2	-2,80	-1,40																											
3	-2,80	1,40																											
4	-1,40	2,80																											
5	1,40	2,80																											
6	2,80	1,40																											
7	2,80	-1,40																											
8	1,40	-2,80																											

You can find the assembly instruction on the next page.

Technical data

General features

Connector Design	female connector (panel mount)
Connector locking system	bolted
Termination	dip-solder
Upper temperature	85 °C
Lower temperature	-40 °C

Cable data

Approval 1	UL
------------	----

Electrical parameters

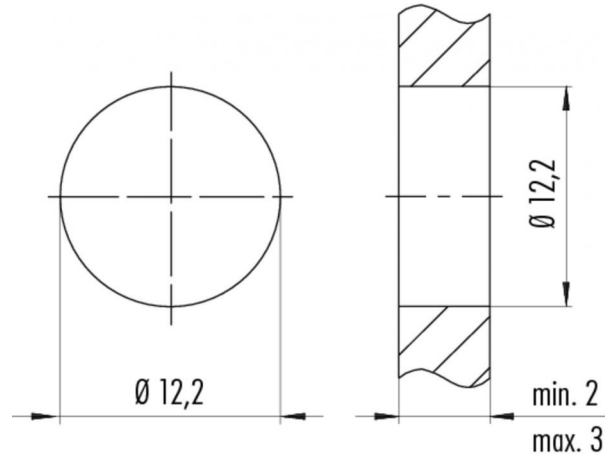
Rated voltage	50V AC, 60V DC V
Pollution degree	3
Oversvoltage category	II
Material group	III
Rated current (40°C)	0,5 A
Volume resistivity	≤ 10 mΩ
EMV compliance	shielded
Degree of protection	IP67
Mechanical operation	> 50 Mating cycles

Material

Material of contact	CuSn (Bronze)
Contact plating	Au (gold)
Material of contact body	PA

Product **Contacts 8: Female panel mount connector with X-coding, dip-solder, angled, contact carrier: fix**
Area **M12-D, M12-X Series 825/876 X-coding**
Article number **99 3782 213 08**

Installation instructions / Mounting cutout



Anzugsdrehmoment / Tightening moment
M12 x 1 6,25 Nm