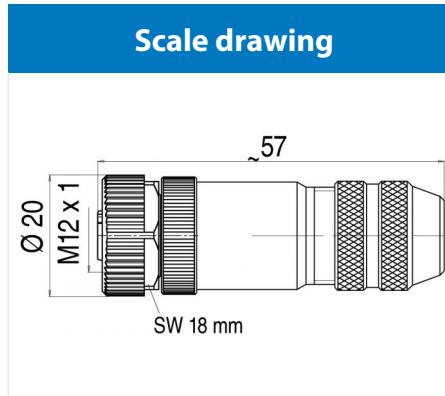
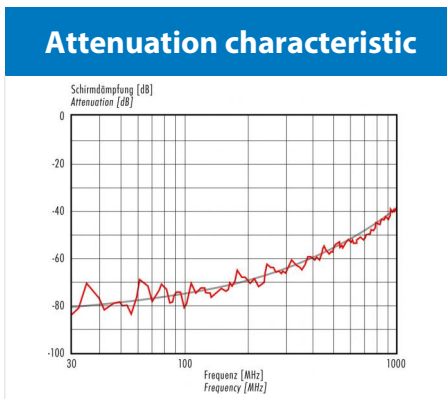


Product	<b>Contacts: 8, Female cable connector, shieldable, screw terminal connection, static ring version, with UL approval</b>	Area	<b>M12-A Series 713</b>
Pole	<b>8</b>	Article number	<b>99 1486 812 08</b>



**Contact Arrangement**

	X	Y
1	-2,69	0,57
2	-0,57	2,69
3	1,66	2,20
4	2,75	0,19
5	1,94	-1,94
6	-0,19	-2,75
7	-2,20	-1,66
8	0,00	0,00



You can find the item description and assembly instruction on the next page.

## Technical data

### Common values

Connector Design	Female cable connector
Connector locking system	screw
Termination	Screwing
Wire gauge (mm)	0.50 mm <sup>2</sup>
Wire gauge (AWG)	20
Cable outlet	6 - 8 mm
Upper temperature	85 °C
Lower temperature	-40 °C

### Electrical values

Rated voltage	60 V
Rated impulse voltage	800 V
Pollution degree	3
Overtoltage category	II
Material group	II
Rated current (40°C)	2 A
Volume resistivity	≤ 3 mΩ
EMV compliance	shielded
Degree of protection	IP67
Mechanical operation	> 100 mating cycles

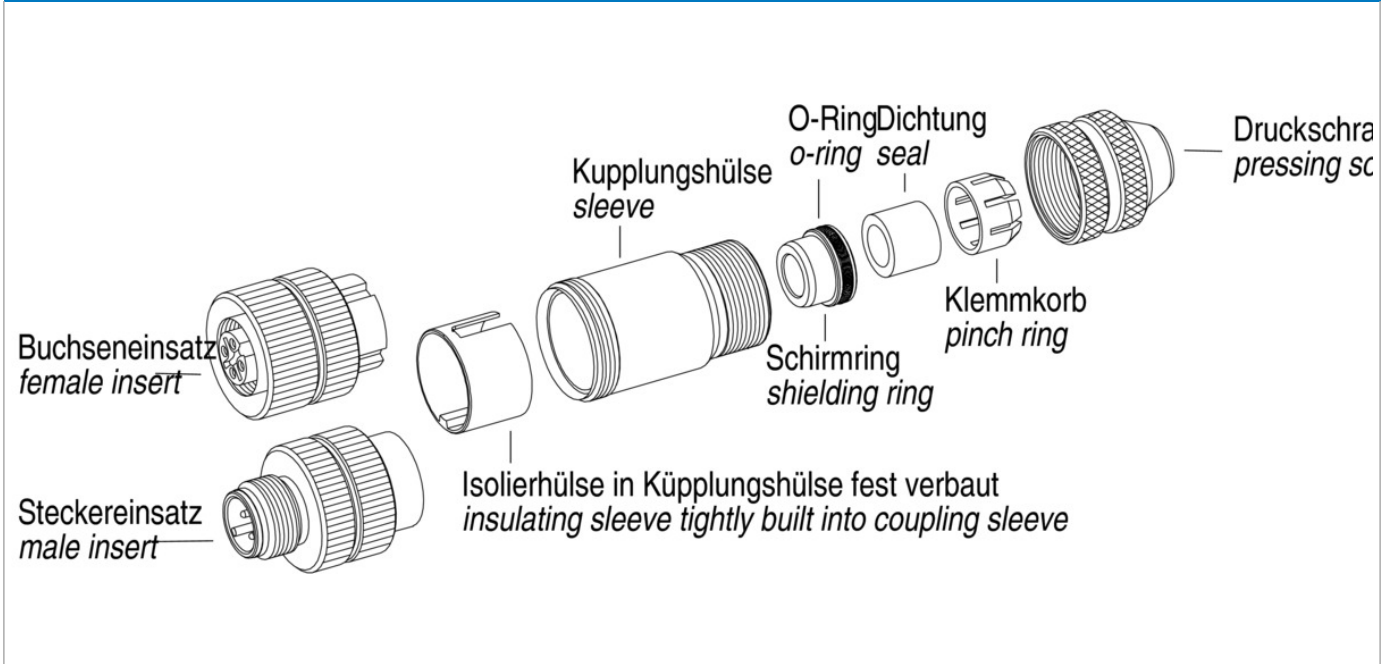
### Material

Material of contact	CuZn (Brass)
Contact plating	Au (Gold)
Material of contact body	PA
Material of housing	Nickel-plated zinc die casting

Contacts: 8, Cable outlet: 6-8 mm, female cable connector, shieldable, screw terminal connection, static ring version with die-cast threaded ring, with UL approval

Product	<b>Contacts: 8, Female cable connector, shieldable, screw terminal connection, static ring version, with UL approval</b>	Area	<b>M12-A Series 713</b>
Pole	<b>8</b>	Article number	<b>99 1486 812 08</b>

### Item description



### Installation instructions / Mounting cutout

	Schraubklemmversion screw connection	Lötversion solder version	Käfigzugfederversion wire clamp connection
Maß A/mm measure A/mm	<b>5</b>	<b>3,5</b>	<b>7</b>