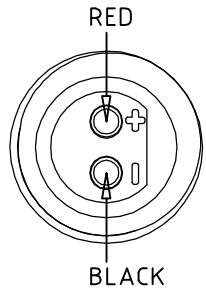
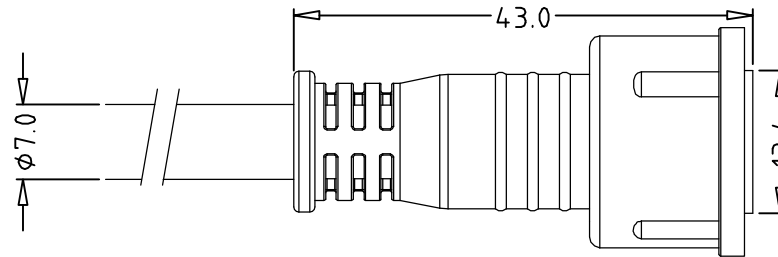
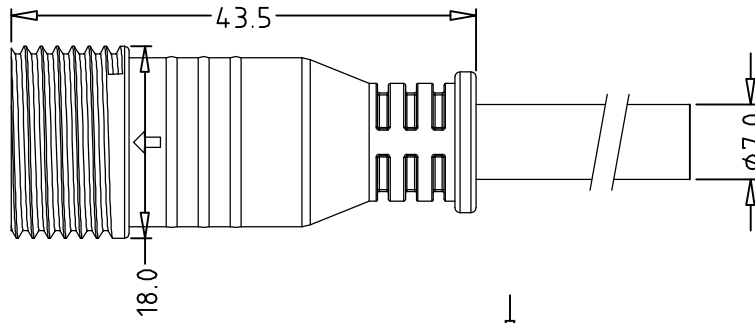


版本: X1

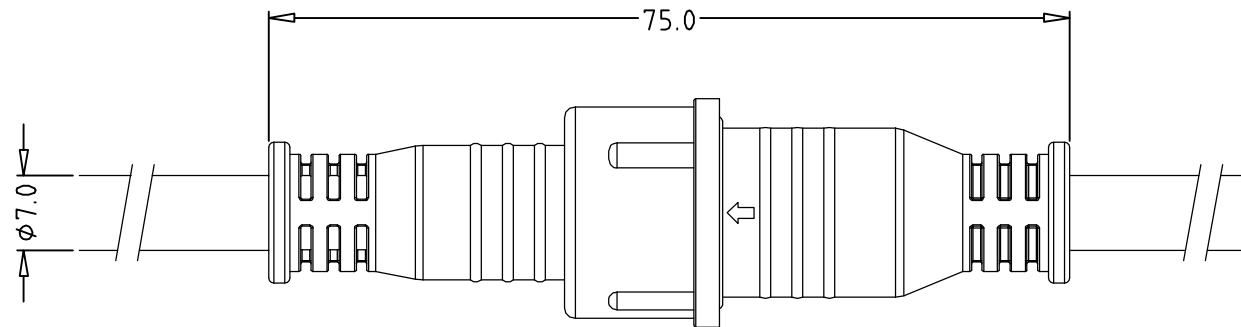
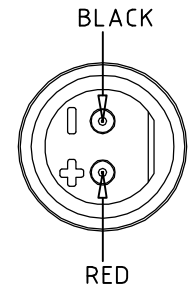
| ECN. NO. | REV. | DATE | DESCRIPTION | CHANGE | APPD. |
|----------|------|------------|-------------|--------|-------|
| | X1 | 06/19'2014 | 初版发行 | / | |



FEMALE END



MALE END



HG-F-L218A
2*2.5mm²

| | | | | |
|---------------|----------|--|--------------|--------------|
| MAT'L: N/A | | Higo 上海海固电器设备有限公司 Shang hai Higo Electronic Technology Co., Ltd. | | |
| UNITS: mm | | TITLE: 螺纹2芯公端/螺纹2芯母端 | PART NO.: | |
| X±: 8 | X°±: 5° | APPD: | DWG NO.: | |
| .X±: 1 | .X°±: 2° | CHEG: | | |
| .XX±:0.05 | .XX°±:1° | DRAW: Changshun 06/19'2014 | SCALE N/A | SHEET 1/1 |
| | | | REV. | |