
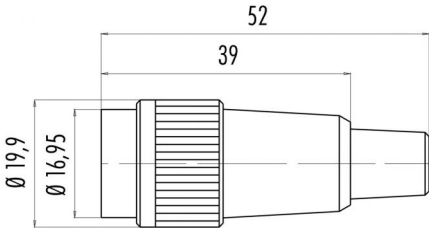
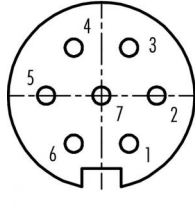


Product sheet

Miniature connector



Product	Contacts: 7, female cable connector, cable outlet 6 - 8 mm	Area	Bayonet IP40 Series 678
Pole	7	Article number	99 0622 02 07

Illustration	Scale drawing	Contact Arrangement																								
		 <table border="1" style="margin-left: auto; margin-right: auto;"> <thead> <tr> <th></th> <th>X</th> <th>Y</th> </tr> </thead> <tbody> <tr><td>1</td><td>1,75</td><td>-3,03</td></tr> <tr><td>2</td><td>3,50</td><td>0,00</td></tr> <tr><td>3</td><td>1,75</td><td>3,03</td></tr> <tr><td>4</td><td>-1,75</td><td>3,03</td></tr> <tr><td>5</td><td>-3,50</td><td>0,00</td></tr> <tr><td>6</td><td>-1,75</td><td>-3,03</td></tr> <tr><td>7</td><td>0,00</td><td>0,00</td></tr> </tbody> </table>		X	Y	1	1,75	-3,03	2	3,50	0,00	3	1,75	3,03	4	-1,75	3,03	5	-3,50	0,00	6	-1,75	-3,03	7	0,00	0,00
	X	Y																								
1	1,75	-3,03																								
2	3,50	0,00																								
3	1,75	3,03																								
4	-1,75	3,03																								
5	-3,50	0,00																								
6	-1,75	-3,03																								
7	0,00	0,00																								

You can find the item description on the next page.

Technical data

Common values

Connector Design	Female cable connector
Connector locking system	Bayonet
Termination	Solder
Wire gauge (mm)	0.75 mm ²
Wire gauge (AWG)	20
Cable outlet	6 - 8 mm
Upper temperature	85 °C
Lower temperature	-40 °C

Electrical values

Rated voltage	125 V
Rated impulse voltage	800 V
Pollution degree	1
Overvoltage category	I
Material group	III
Rated current (40°C)	5 A
Volume resistivity	≤ 5 mΩ
EMV compliance	not shielded
Degree of protection	IP40
Mechanical operation	> 500 mating cycles

Material

Material of contact	CuSn (Bronze)
Contact plating	Ag (Silver)
Material of contact body	PBT (UL 94 V-0)
Material of housing	PA (UL 94 V-0)

Contacts: 7, female cable connector, cable outlet 6 - 8 mm

Product	Contacts: 7, female cable connector, cable outlet 6 - 8 mm	Area	Bayonet IP40 Series 678
Pole	7	Article number	99 0622 02 07

Item description

