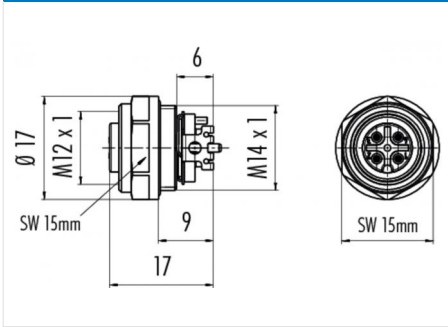


Product	female panel mount connector SMT, with housing, shieldable
Area	M12-A Series 713/763
Article number	99 3432 401 04

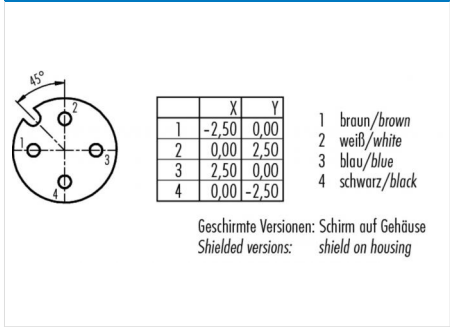
Illustration



Scale drawing



Contact Arrangement



Technical data

General features

Connector Design	integrated socket
Termination	SMT
Upper temperature	85 °C
Lower temperature	-40 °C

Electrical parameters

Rated voltage	250 V
Rated impulse voltage	2500 V
Pollution degree	3
Overvoltage category	II
Material group	III
Rated current (40°C)	4 A
Volume resistivity	≤ 3 mΩ
Degree of protection	IP67
Mechanical operation	> 100 Mating cycles

Material

Material of contact	CuSn (Bronze)
Contact plating	Au (gold)
Material of contact body	LCP - GF30