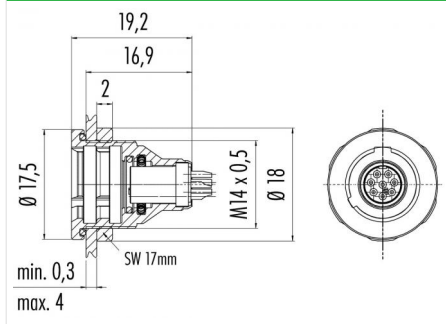


Product	<b>Contacts 7, female panel mount connector IP 67, shielded</b>	Area	<b>Push-Pull IP67 Series 430</b>
Pole	<b>7</b>	Article number	<b>09 4928 00 07</b>

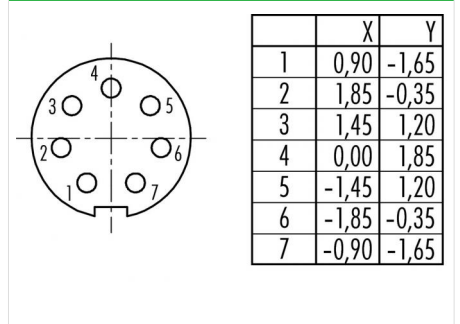
### Illustration



### Scale drawing



### Contact Arrangement



You can find the item description and assembly instruction on the next page.

## Technical data

### Common values

Connector Design	Female panel mount connector
Connector locking system	Push-Pull
Termination	Solder
Wire gauge (mm)	0.14 mm <sup>2</sup>
Wire gauge (AWG)	26
Cable outlet	-
Upper temperature	85 °C
Lower temperature	-40 °C

### Cable data

material housing	-
Insulation single lead	-
Single lead structure	-
Conductor resistance	-

### Electrical values

Rated voltage	125 V
Rated impulse voltage	1500 V
Pollution degree	2
Overvoltage category	I
Material group	II
Rated current (40°C)	1 A
Volume resistivity	≤ 5 mΩ
EMV compliance	shieldable
Degree of protection	IP67
Mechanical operation	> 500 mating cycles

### Material

Material of contact	CuSn (Bronze)
Contact plating	Au (Gold)
Material of contact body	PBT, PA
Material of housing	CuZn (Brass nickel-plated)

Contacts: 7, Female panel mount connector IP 67, shielded

Product

Contacts 7, female panel mount connector

Area

Push-Pull IP67 Series 430

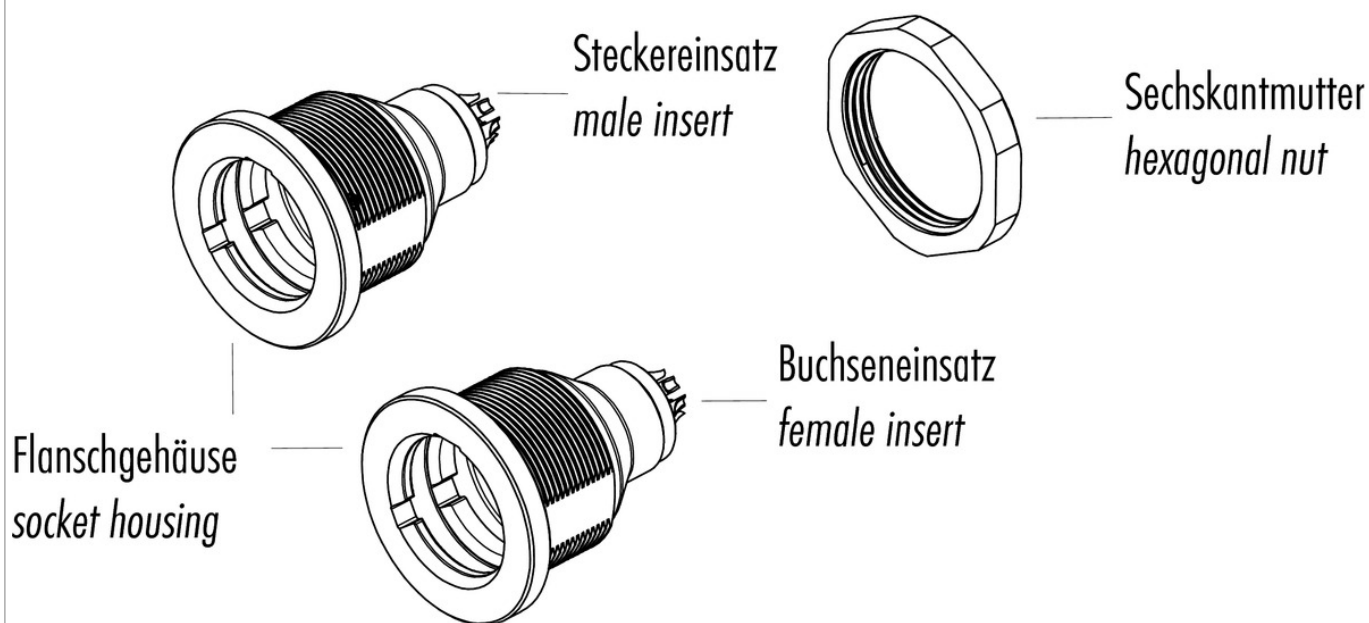
Pole

IP 67, shielded  
7

Article number

09 4928 00 07

### Item description



### Installation instructions / Mounting cutout

