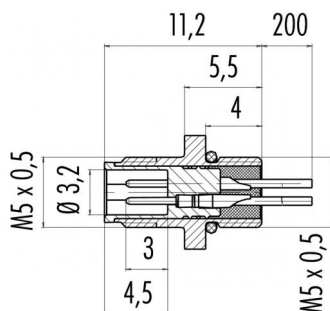


Product	Contacts 4: male panel mount connector with single wires	Area	M5 Series 707
Pole	4	Article number	09 3111 01 04

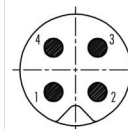
Illustration



Scale drawing



Contact Arrangement



	X	Y
1	-0,63	-0,63
2	0,63	-0,63
3	0,63	0,63
4	-0,63	0,63

- 1 braun/brown
- 2 weiß/white
- 3 blau/blue
- 4 schwarz/black

Technical data

Common values

Connector Design	Male panel mount connector
Connector locking system	screw
Termination	With assembled wire
Wire gauge (mm)	0.25 mm ²
Wire gauge (AWG)	24
Cable outlet	-
Upper temperature	80 °C
Lower temperature	-25 °C

Cable data

material housing	-
Insulation single lead	-
Single lead structure	-
Temperature range cable movable c from	-5
Temperature range cable movable c to	80
Temperature range cable fixed c from	-25
Temperature range cable fixed c to	80
Bending radius cable fixed	-
Bending radius cable movable	-

Electrical values

Rated voltage	60 V
Rated impulse voltage	800 V
Pollution degree	3
Overvoltage category	II
Material group	I
Rated current (40°C)	1 A
Volume resistivity	≤ 3 mΩ
EMV compliance	not shielded
Degree of protection	IP67
Mechanical operation	> 100 mating cycles

Material

Material of contact	CuZn (Brass)
Contact plating	Au (Gold)
Material of contact body	PA
Material of housing	CuZn (Brass nickel-plated)

Contacts 4: Cable: 4 x 0.25 mm², male panel mount connector with single wires