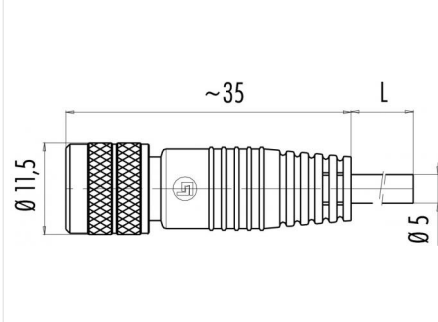


Product	Contacts: 3, Female cable connector, overmoulded, screw type, M8x1, shielded	Area	M8 Series 718
Pole	3	Article number	77 3506 0000 50003-0200

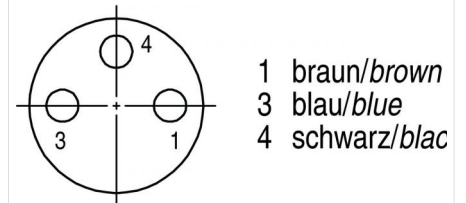
Illustration



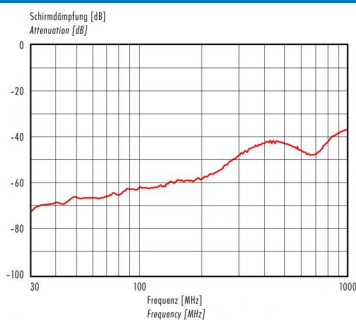
Scale drawing



Contact Arrangement



Attenuation characteristic



Technical data

Common values

Connector Design	Female cable connector
Connector locking system	screw
Termination	crimp, injection-moulded cable
Wire gauge (mm)	0.25 mm ²
Wire gauge (AWG)	24
Cable outlet	-
Upper temperature	85 °C
Lower temperature	-25 °C

Electrical values

Rated voltage	60 V
Rated impulse voltage	800 V
Pollution degree	3
Overvoltage category	II
Material group	II
Rated current (40°C)	4 A
Volume resistivity	≤ 3 mΩ
EMV compliance	shielded
Degree of protection	IP67
Mechanical operation	> 100 mating cycles

Material

Material of contact	CuZn (Brass)
Contact plating	Au (Gold)
Material of contact body	PUR
Material of housing	PUR

Contacts: 3, Cable length: 2 m, Cable: 3 x 0.25, PUR cable sheath, female cable connector, overmoulded, screw type, M8x1, shielded

Product	Contacts: 3, Female cable connector, overmoulded, screw type, M8x1, shielded	Area	M8 Series 718
Pole	3	Article number	77 3506 0000 50003-0200

Technical data

Cable data

material housing	PUR
Insulation single lead	PVC
Single lead structure	32 x 0.1
Cable sheath Ø	4.5
Conductor resistance	72Ω/Km
Temperature range cable movable c from	-5
Temperature range cable movable c to	70
Temperature range cable fixed c from	-15
Temperature range cable fixed c to	70
Bending radius cable fixed	min. 5 x D
Bending radius cable movable	min. 10 x D