
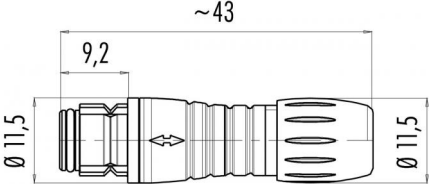
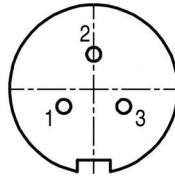


# Product sheet

## Subminiature connector



Product Pole	<b>Contacts 3, female cable connector</b> 3	Area Article number	<b>Snap-in IP67 Series 620</b> 99 9206 00 03
--------------	--	---------------------	---

Illustration	Scale drawing	Contact Arrangement												
		 <table border="1" style="margin-left: 20px;"> <thead> <tr> <th></th> <th>X</th> <th>Y</th> </tr> </thead> <tbody> <tr> <td>1</td> <td>-1,82</td> <td>-1,05</td> </tr> <tr> <td>2</td> <td>0,00</td> <td>2,10</td> </tr> <tr> <td>3</td> <td>1,82</td> <td>-1,05</td> </tr> </tbody> </table>		X	Y	1	-1,82	-1,05	2	0,00	2,10	3	1,82	-1,05
	X	Y												
1	-1,82	-1,05												
2	0,00	2,10												
3	1,82	-1,05												

You can find the item description on the next page.

## Technical data

### Common values

Connector Design	Female cable connector
Connector locking system	Snap
Termination	Solder
Wire gauge (mm)	0.25 mm <sup>2</sup>
Wire gauge (AWG)	24
Cable outlet	3 - 5 mm
Upper temperature	85 °C
Lower temperature	-40 °C

### Cable data

material housing	-
Insulation single lead	-
Single lead structure	-
Conductor resistance	-

### Electrical values

Rated voltage	125 V
Rated impulse voltage	1500 V
Pollution degree	2
Overvoltage category	II
Material group	II
Rated current (40°C)	3 A
Volume resistivity	≤ 3 mΩ
EMV compliance	not shieldable
Degree of protection	IP67
Mechanical operation	> 500 mating cycles

### Material

Material of contact	CuSn (Bronze)
Contact plating	Au (Gold)
Material of contact body	PA (UL 94 V-0)
Material of housing	PA (UL 94 V-0)

Contacts: 3, female cable connector

**Product sheet**  
Subminiature connector

Product  
Pole

**Contacts 3, female cable connector**  
3

Area  
Article number

**Snap-in IP67 Series 620**  
99 9206 00 03

Item description

