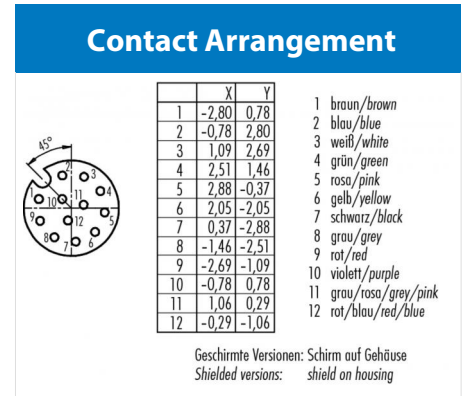
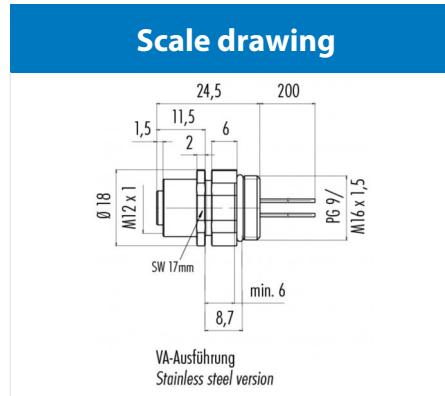


Product **Contacts: 12, Female panel mount connector, adjustable, with single wires, 0.14 mm<sup>2</sup>, PG 9**  
 Area **M12-A Series 713/763**  
 Article number **76 0732 0111 00012-0200**



**You can find the assembly instruction on the next page.**

## Technical data

### General features

Connector Design female panel mount connector  
 Connector locking system bolted  
 Termination Strands  
 Wire gauge (mm) 0,14 mm<sup>2</sup>  
 Wire gauge (AWG) 26  
 Upper temperature 85 °C  
 Lower temperature -40 °C

### Electrical parameters

Rated voltage 30 V  
 Rated impulse voltage 500 V  
 Pollution degree 3  
 Overvoltage category II  
 Material group II  
 Rated current (40°C) 2 A  
 Volume resistivity ≤ 3 mΩ  
 EMV compliance not shielded  
 Degree of protection IP68  
 Mechanical operation > 100 Mating cycles

### Material

Material of contact CuSn (Bronze)  
 Contact plating Au (gold)  
 Material of contact body PA

Product **Contacts: 12, Female panel mount connector, adjustable, with single wires, 0.14 mm<sup>2</sup>, PG 9**

Area **M12-A Series 713/763**  
Article number **76 0732 0111 00012-0200**

### Installation instructions / Mounting cutout



Anzugsdrehmoment / *Tightening moment*  
6,25 Nm