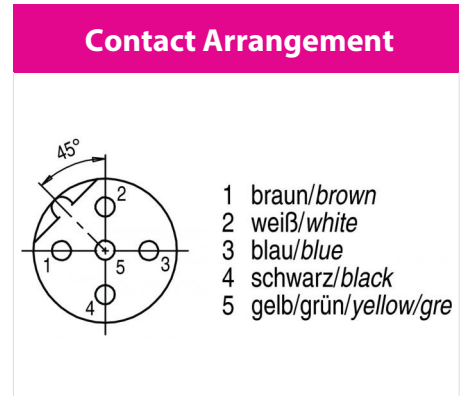
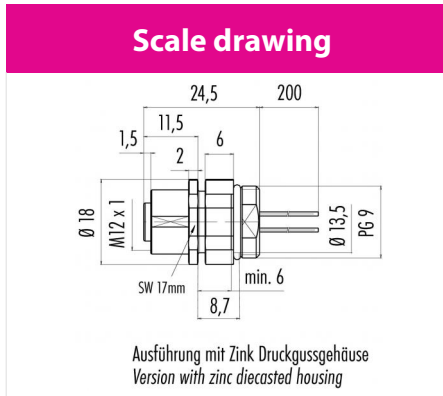


Product	<b>Contacts: 5, Female panel mount connector, adjustable, with single wires</b> 0.25 mm <sup>2</sup>	Area Article number	<b>M12-B Series 715/766</b> 09 4442 22 05
Pole	5		



You can find the assembly instruction on the next page.

## Technical data

### Common values

Connector Design	Female panel mount connector
Connector locking system	screw
Termination	Single wires
Wire gauge (mm)	0.25 mm <sup>2</sup>
Wire gauge (AWG)	24
Upper temperature	85 °C
Lower temperature	-40 °C

### Cable data

material housing	-
Insulation single lead	-
Single lead structure	-
Conductor resistance	-
Bending radius cable fixed	-
Bending radius cable movable	-

### Electrical values

Rated voltage	125 V
Rated impulse voltage	1500 V
Pollution degree	3
Overvoltage category	II
Material group	II
Rated current (40°C)	4 A
Volume resistivity	≤ 3 mΩ
EMV compliance	not shielded
Degree of protection	IP68
Mechanical operation	> 100 mating cycles

### Material

Material of contact	CuSn (Bronze)
Contact plating	Au (Gold)
Material of contact body	PUR, PA
Material of housing	Nickel-plated zinc die casting

fixing thread: PG 9, Contacts: 5, Female panel mount connector, adjustable, with single wires 0.25 mm<sup>2</sup>

Product

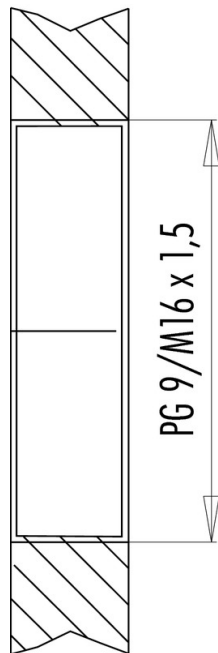
**Contacts: 5, Female panel mount connector, adjustable, with single wires**  
0.25 mm<sup>2</sup>  
5

Area  
Article number

**M12-B Series 715/766**  
**09 4442 22 05**

Pole

Installation instructions / Mounting cutout



Anzugsdrehmoment/Tightening moment  
6,25 Nm