

Product sheet

Miniature connector

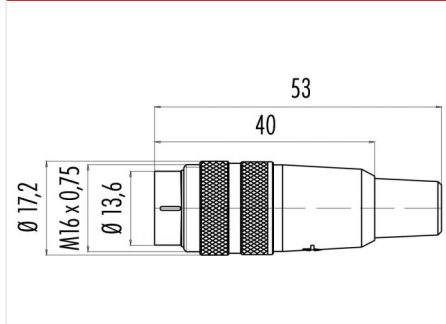


Product	Contacts: 24, cable plug connector, cable outlet 6 - 7.8 mm	Area	M16 IP40 Series 680
Pole	24	Article number	09 0345 02 24

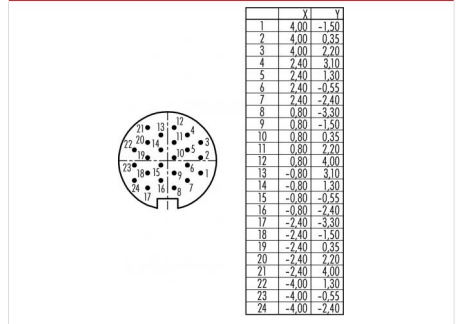
Illustration



Scale drawing



Contact Arrangement



You can find the item description on the next page.

Technical data

Common values

Connector Design	Cable plug connector
Connector locking system	screw
Termination	Solder
Wire gauge (mm)	0.14 mm ²
Wire gauge (AWG)	26
Cable outlet	6 - 7.8 mm
Upper temperature	85 °C
Lower temperature	-40 °C

Electrical values

Rated voltage	60 V
Rated impulse voltage	500 V
Pollution degree	1
Overvoltage category	I
Material group	III
Rated current (40°C)	1 A
Volume resistivity	≤ 3 mΩ
EMV compliance	not shielded
Degree of protection	IP40
Mechanical operation	> 500 mating cycles

Material

Material of contact	CuZn (Brass)
Contact plating	Au (Gold)
Material of contact body	PBT (UL 94 V-0)
Material of housing	PA (UL 94 HB)

Contacts: 24, cable plug connector, cable outlet 6 - 7.8 mm, gold plated contacts

Product	Contacts: 24, cable plug connector, cable outlet 6 - 7.8 mm	Area	M16 IP40 Series 680
Pole	24	Article number	09 0345 02 24

Item description

