

Product	Contacts: 8 DIN, Female cable connector with cable clamp, CRIMP connection, shieldable, cable outlet 4 – 6 mm	Area	M16 IP67 Series 423
Pole	8 DIN	Article number	99 5172 700 08

Illustration	Scale drawing	Contact Arrangement																											
		<table border="1" style="margin-left: auto; margin-right: auto;"> <thead> <tr> <th></th> <th>X</th> <th>Y</th> </tr> </thead> <tbody> <tr><td>1</td><td>-3,50</td><td>0,00</td></tr> <tr><td>2</td><td>0,00</td><td>3,50</td></tr> <tr><td>3</td><td>3,50</td><td>0,00</td></tr> <tr><td>4</td><td>-2,47</td><td>2,47</td></tr> <tr><td>5</td><td>2,47</td><td>2,47</td></tr> <tr><td>6</td><td>-2,47</td><td>-2,47</td></tr> <tr><td>7</td><td>2,47</td><td>-2,47</td></tr> <tr><td>8</td><td>0,00</td><td>-0,70</td></tr> </tbody> </table>		X	Y	1	-3,50	0,00	2	0,00	3,50	3	3,50	0,00	4	-2,47	2,47	5	2,47	2,47	6	-2,47	-2,47	7	2,47	-2,47	8	0,00	-0,70
	X	Y																											
1	-3,50	0,00																											
2	0,00	3,50																											
3	3,50	0,00																											
4	-2,47	2,47																											
5	2,47	2,47																											
6	-2,47	-2,47																											
7	2,47	-2,47																											
8	0,00	-0,70																											

You can find the item description and assembly instruction on the next page.

Technical data

Common values

Connector Design	Female cable connector
Connector locking system	screw
Termination	Crimp
Wire gauge (mm)	0.14 – 0.75 mm ²
Wire gauge (AWG)	26 - 20
Cable outlet	4 - 6 mm
Upper temperature	95 °C
Lower temperature	-40 °C

Electrical values

Rated voltage	60 V
Rated impulse voltage	500 V
Pollution degree	1
Overvoltage category	I
Material group	III
Rated current (40°C)	5 A
Volume resistivity	≤ 5 mΩ
EMV compliance	shielded
Degree of protection	IP67
Mechanical operation	> 500 mating cycles

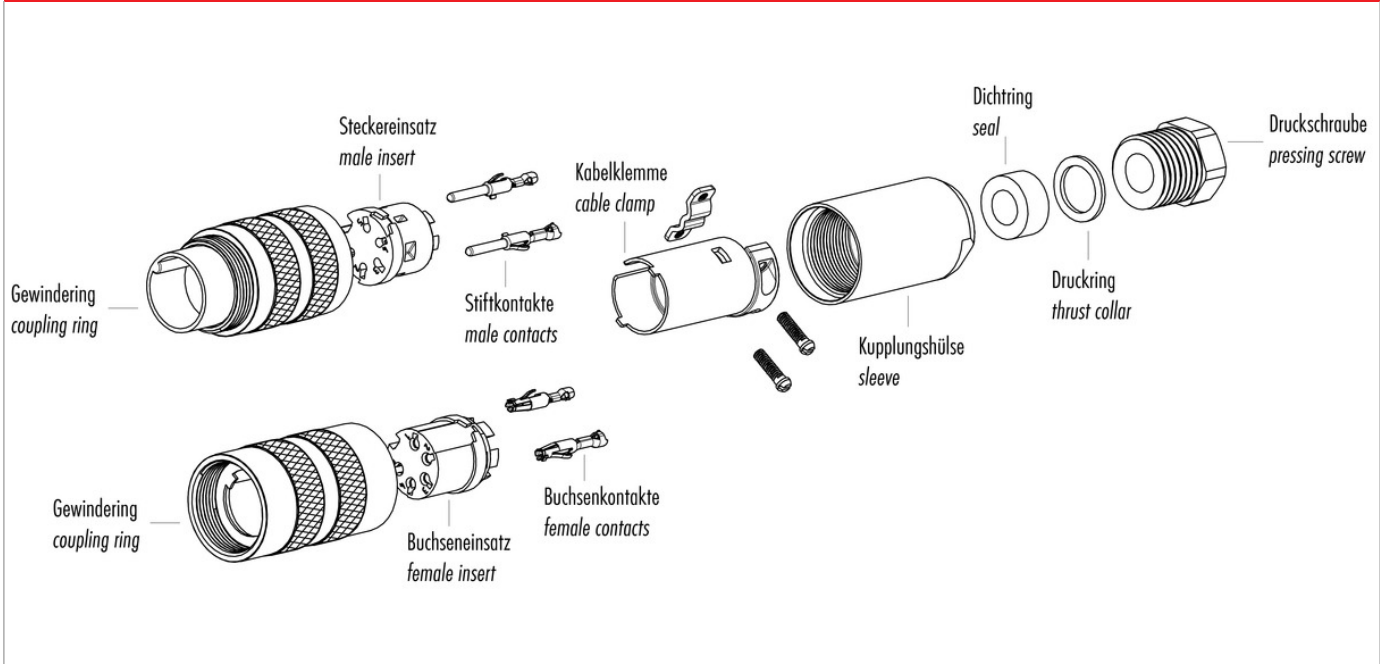
Material

Material of contact	CuSn (Bronze)
Contact plating	Ag (Silver)
Material of contact body	PBT (UL 94 V-0)
Material of housing	CuZn (Brass nickel-plated)

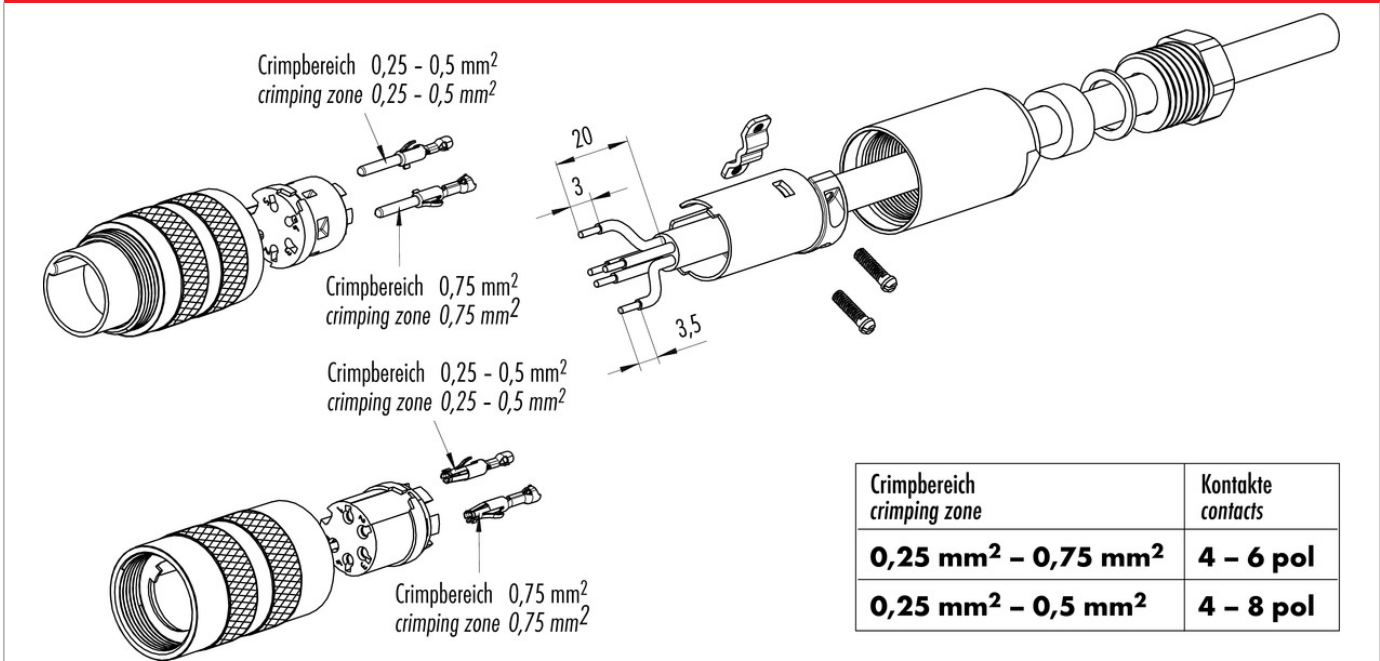
Contacts: 8 DIN, Female cable connector with cable clamp, CRIMP connection, shieldable, cable outlet 4 – 6 mm

Product	Contacts: 8 DIN, Female cable connector with cable clamp, CRIMP connection, shieldable, cable outlet 4 – 6 mm	Area	M16 IP67 Series 423
Pole	8 DIN	Article number	99 5172 700 08

Item description



Installation instructions / Mounting cutout



Crimpbereich crimping zone	Kontakte contacts
0,25 mm² – 0,75 mm²	4 – 6 pol
0,25 mm² – 0,5 mm²	4 – 8 pol