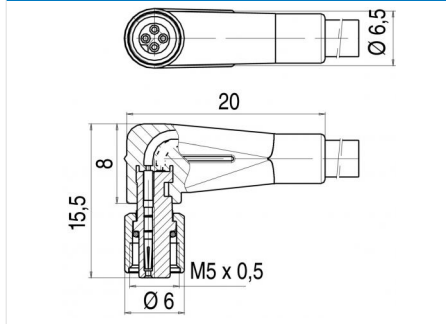


|         |   |                |                      |
|---------|---|----------------|----------------------|
| Product | <b>Contacts 4: Female angled connector, overmoulded, M5x0.5</b> | Area           | <b>M5 Series 707</b> |
| Pole    | <b>4</b>  | Article number | <b>79 3110 52 04</b> |

### Illustration



### Scale drawing



### Contact Arrangement

|   | X     | Y     |
|---|-------|-------|
| 1 | 0,63  | -0,63 |
| 2 | -0,63 | -0,63 |
| 3 | -0,63 | 0,63  |
| 4 | 0,63  | 0,63  |

- 1 braun/brown
- 2 weiß/white
- 3 blau/blue
- 4 schwarz/black

## Technical data

### Common values

|                          |                                |
|--------------------------|--------------------------------|
| Connector Design         | Female angled connector        |
| Connector locking system | screw                          |
| Termination              | crimp, injection-moulded cable |
| Wire gauge (mm)          | 0.14 mm <sup>2</sup>           |
| Wire gauge (AWG)         | 26                             |
| Cable outlet             | -                              |
| Upper temperature        | 80 °C                          |
| Lower temperature        | -25 °C                         |

### Cable data

|  |          |
|--|----------|
| material housing                       | PUR      |
| Insulation single lead                 | PVC      |
| Single lead structure                  | 18 x 0.1 |
| Cable sheath Ø                         | 3.5      |
| Conductor resistance                   | 148Ω/Km  |
| Temperature range cable movable c from | -5       |
| Temperature range cable movable c to   | 80       |
| Temperature range cable fixed c from   | -25      |
| Temperature range cable fixed c to     | 80       |

### Electrical values

|                       |                     |
|-----------------------|---------------------|
| Rated voltage         | 60 V                |
| Rated impulse voltage | 800 V               |
| Pollution degree      | 3                   |
| Overvoltage category  | II                  |
| Material group        | I                   |
| Rated current (40°C)  | 1 A                 |
| Volume resistivity    | ≤ 3 mΩ              |
| EMV compliance        | nicht geschirmt     |
| Degree of protection  | IP67                |
| Mechanical operation  | > 100 mating cycles |

### Material

|                          |               |
|--------------------------|---------------|
| Material of contact      | CuSn (Bronze) |
| Contact plating          | Au (Gold)     |
| Material of contact body | PUR           |
| Material of housing      | PUR           |

Contacts: 4, Cable length: 2, Cable: 4 x 0.14 mm<sup>2</sup> PUR, female angled connector, overmoulded, M5 x 0.5