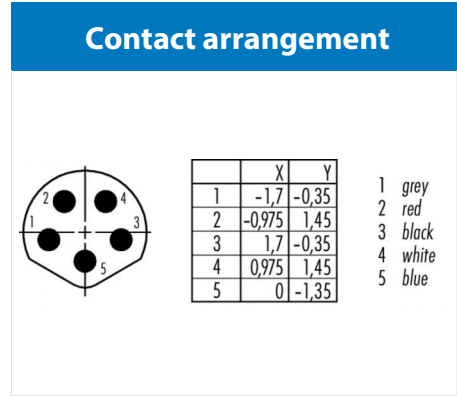
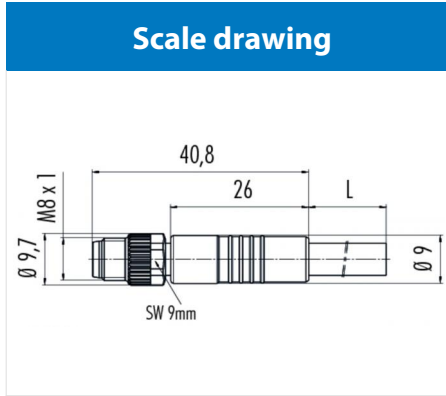


Product description	<b>M8 cable connector, Contacts: 5, not shielded, moulded on cable, IP67, UL listed, PUR grey, 5 x 0.34 mm<sup>2</sup></b>
Area	<b>M8 series 718</b>
Order number	<b>77 3405 0000 20005-0500</b>



- 1 grey
- 2 red
- 3 black
- 4 white
- 5 blue

## Technical data

### General values

Notice	Please note that, due to the change from the old to the new order number, there may be deviations in the technical specifications. For questions about product details, please use the 'Contact Customer Service' form on the right.
Connector design	cable connector
Connector locking system	screw
Termination	moulded on cable
Wire gauge (mm)	0.34 mm <sup>2</sup>
Wire gauge (AWG)	22
Upper limit temperature	85 °C
Lower limit temperature	- 25 °C
Customs tariff number	85444290

### Electrical values

Rated current (40 °C)	3 A
Rated voltage	30 V
Rated impulse voltage	800 V
Pollution degree	3
Overtoltage category	II
Insulating material group	II
EMC compliance	not shielded
Degree of protection	IP67
Mechanical operation	> 100 Mating cycles

### Material

Contact material	CuZn (brass)
Contact plating	Au (gold)
Contact body material	PUR
Housing material	PUR

### Cable data

Cable length	5 m
Sheath material	PUR
Single-lead insulation	PP
Single-lead structure	42 x 0,1 mm
Cable diameter	4.7 mm
Conductor resistance	60Ω/Km
Temperature range, moving cable, °C from	- 5 °C
Temperature range, moving cable, °C to	105 °C
Temperature range, fixed cable, °C from	-40 °C
Temperature range, fixed cable, °C to	105 °C
Bending radius, fixed cable	≥ 5 x Ø
Bending radius, moving cable	≥ 10 x Ø
Approval 1	UL listed
UL style 1	AWM20549

Product description	<b>M8 cable connector, Contacts: 5, not shielded, moulded on cable, IP67, UL listed, PUR grey, 5 x 0.34 mm<sup>2</sup></b>
Area	<b>M8 series 718</b>
Order number	<b>77 3405 0000 20005-0500</b>

## Security notices

The connectors are designed for use in plant, control system and electrical equipment. The end user is responsible for checking whether the connectors are suitable for use in other applications.

Connectors with degree of protection IP 67 and IP 68 are not suitable for use under water. When used outdoors, the connectors must be separately protected against corrosion. For further information about IP degrees of protection refer to 'Technical support' in the Download Centre.

To lock the cable connector to the equipment connector, the threaded ring is tightened until it is 'finger-tight' (approx. 50 cNm).