

# Product sheet

## Miniature connector



Product	<b>Contacts: 6 DIN, cable plug connector with cable clamp, CRIMP connection, shieldable, cable outlet 6 - 8 mm</b>	Area	<b>M16 IP67 Series 423</b>
Pole	<b>6 DIN</b>	Article number	<b>99 5621 700 06</b>

Illustration	Scale drawing	Contact Arrangement																					
		<table border="1" style="margin-left: auto; margin-right: auto;"> <thead> <tr> <th></th> <th>X</th> <th>Y</th> </tr> </thead> <tbody> <tr> <td>1</td> <td>3,03</td> <td>-1,75</td> </tr> <tr> <td>2</td> <td>3,03</td> <td>1,75</td> </tr> <tr> <td>3</td> <td>0,00</td> <td>3,50</td> </tr> <tr> <td>4</td> <td>-3,03</td> <td>1,75</td> </tr> <tr> <td>5</td> <td>-3,03</td> <td>-1,75</td> </tr> <tr> <td>6</td> <td>0,00</td> <td>0,00</td> </tr> </tbody> </table>		X	Y	1	3,03	-1,75	2	3,03	1,75	3	0,00	3,50	4	-3,03	1,75	5	-3,03	-1,75	6	0,00	0,00
	X	Y																					
1	3,03	-1,75																					
2	3,03	1,75																					
3	0,00	3,50																					
4	-3,03	1,75																					
5	-3,03	-1,75																					
6	0,00	0,00																					

You can find the item description and assembly instruction on the next page.

## Technical data

### Common values

Connector Design	Cable plug connector
Connector locking system	screw
Termination	Crimp
Wire gauge (mm)	0.14 -1.0 mm <sup>2</sup>
Wire gauge (AWG)	26-18
Cable outlet	6 - 8 mm
Upper temperature	95 °C
Lower temperature	-40 °C

### Electrical values

Rated voltage	250 V
Rated impulse voltage	1500 V
Pollution degree	1
Overvoltage category	I
Material group	III
Rated current (40°C)	5 A
Volume resistivity	≤ 5 mΩ
EMV compliance	shielded
Degree of protection	IP67
Mechanical operation	> 500 mating cycles

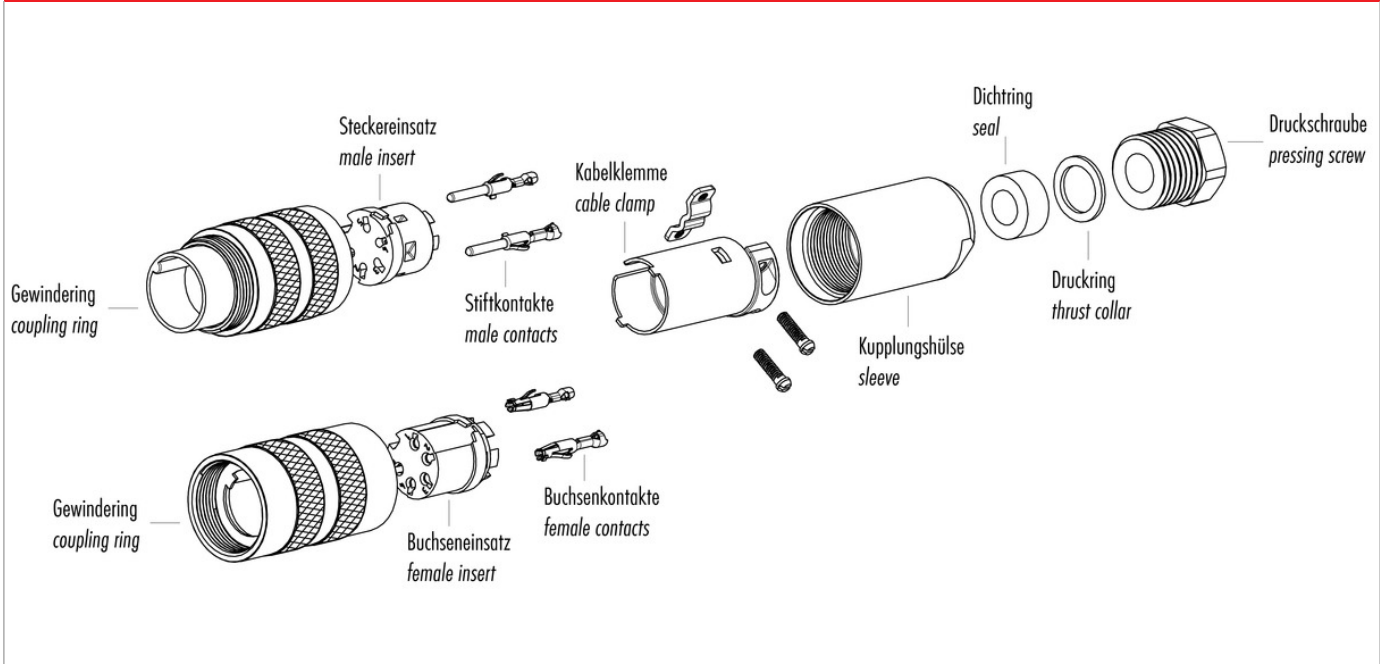
### Material

Material of contact	CuSn (Bronze)
Contact plating	Ag (Silver)
Material of contact body	PBT (UL 94 V-0)
Material of housing	CuZn (Brass nickel-plated)

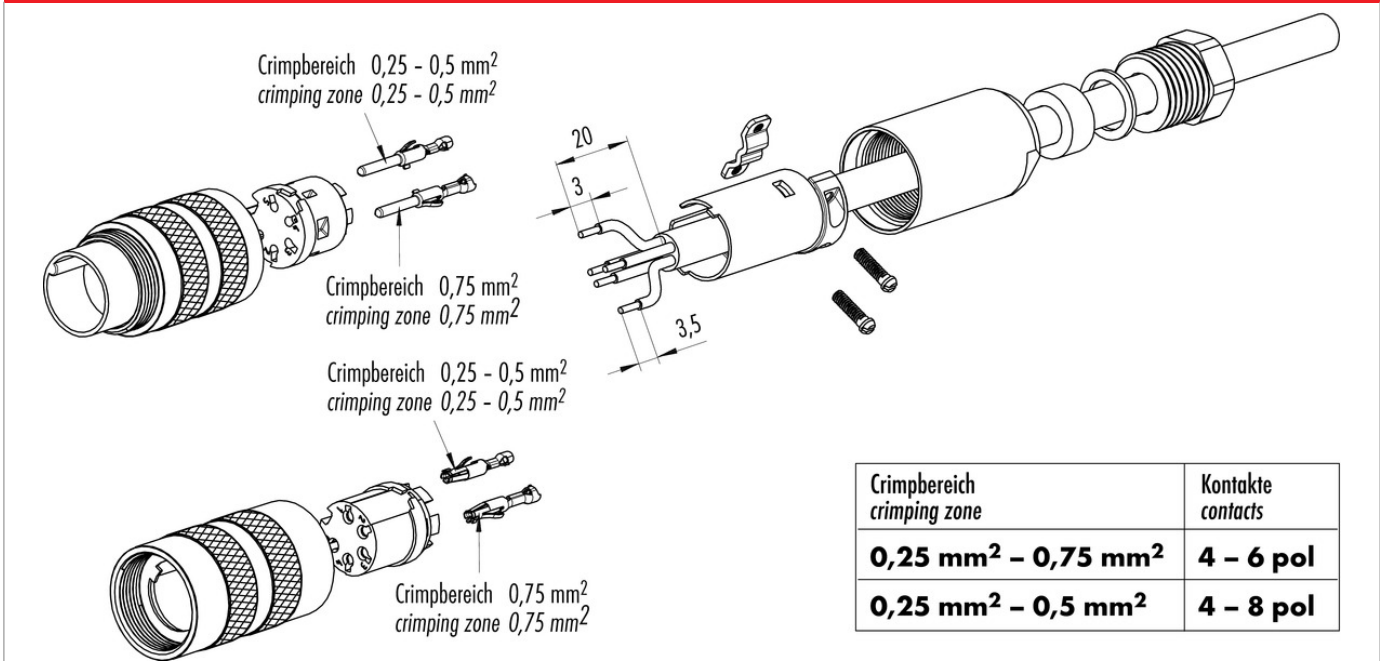
Contacts: 6 DIN, cable plug connector with cable clamp, CRIMP connection, shieldable, cable outlet 6 - 8 mm

Product	<b>Contacts: 6 DIN, cable plug connector with cable clamp, CRIMP connection, shieldable, cable outlet 6 - 8 mm 6 DIN</b>	Area Article number	<b>M16 IP67 Series 423 99 5621 700 06</b>
Pole			

Item description



Installation instructions / Mounting cutout



Crimpbereich crimping zone	Kontakte contacts
<b>0,25 mm<sup>2</sup> - 0,75 mm<sup>2</sup></b>	<b>4 - 6 pol</b>
<b>0,25 mm<sup>2</sup> - 0,5 mm<sup>2</sup></b>	<b>4 - 8 pol</b>