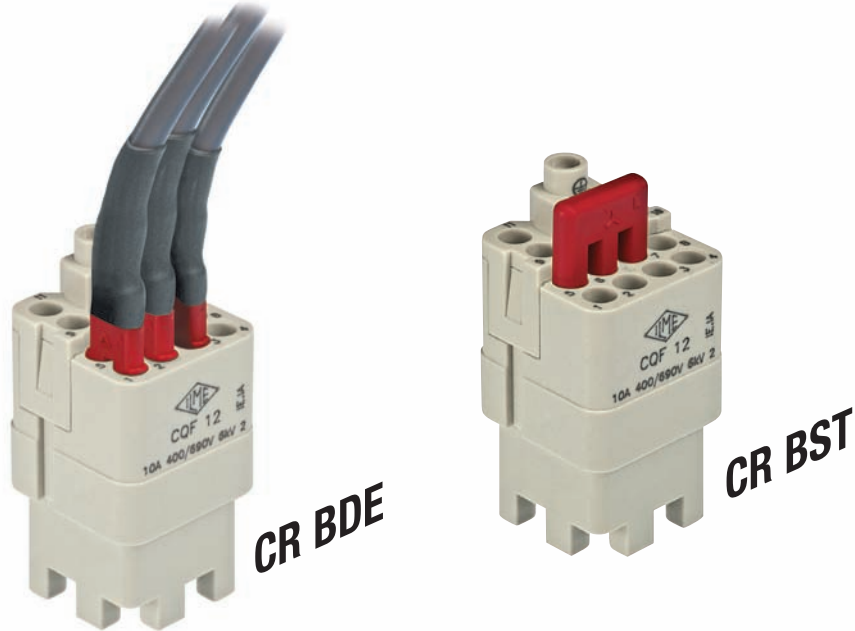


CQ series

12 poles + ⊕

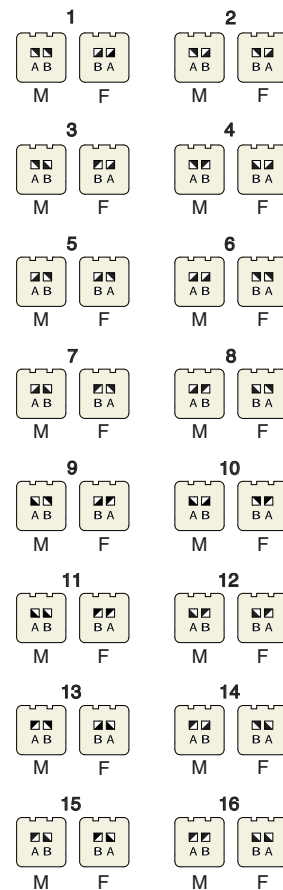
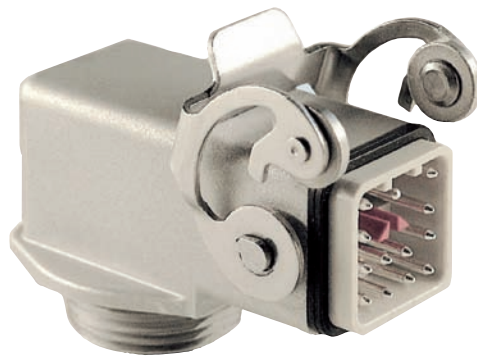
CQ

Bridges for delta or star connection



from page 493

Coding positions for CQ 12 connector



(A B) CQ 12 coding pin M = male insert
 F = female insert

page 165

enclosures:
size "21.21" page:

insulating type 221 - 222
metallic type 223 - 225
W-TYPE for aggressive environments 369
EMC 387
IP68 416 - 418



inserts, crimp connections



10A crimp contacts silver and gold plated



description	part No.	part No.	part No.
-------------	----------	----------	----------

without contacts (to be ordered separately)
 female inserts for female contacts
 male inserts for male contacts

CQF 12
CQM 12

10A female contacts

0,14-0,37 mm ²	AWG 26-22	identification No. 1
0,5 mm ²	AWG 20	identification No. 2
0,75 mm ²	AWG 18	identification No. ②
1 mm ²	AWG 18	identification No. 3
1,5 mm ²	AWG 16	identification No. 4
2,5 mm ²	AWG 14	identification No. 5

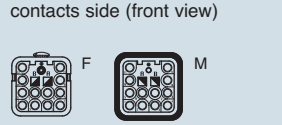
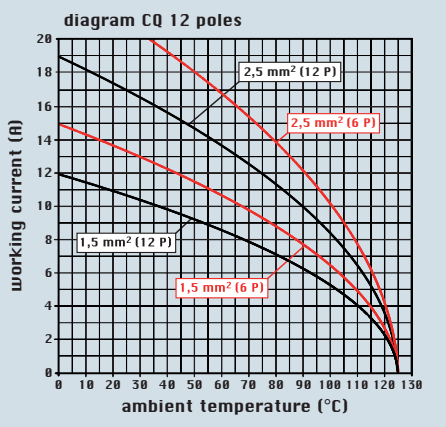
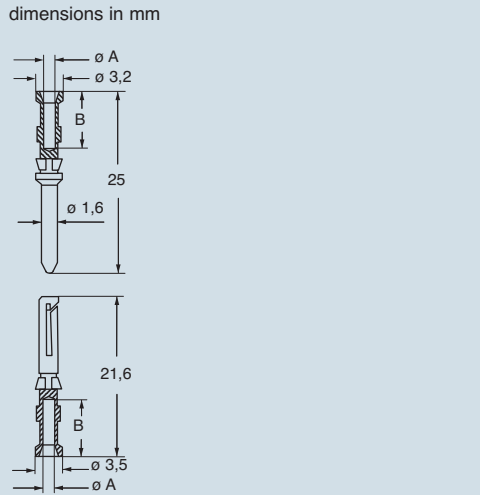
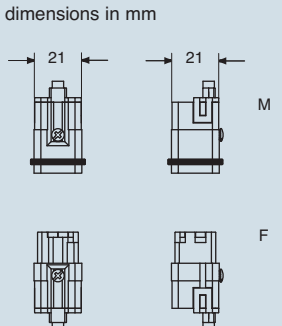
CDFA 0.3	silver plated	CDFD 0.3	gold plated 1)
CDFA 0.5		CDFD 0.5	
CDFA 0.7		CDFD 0.7	
CDFA 1.0		CDFD 1.0	
CDFA 1.5		CDFD 1.5	
CDFA 2.5		CDFD 2.5	

10A male contacts

0,14-0,37 mm ²	AWG 26-22	identification No. 1
0,5 mm ²	AWG 20	identification No. 2
0,75 mm ²	AWG 18	identification No. ②
1 mm ²	AWG 18	identification No. 3
1,5 mm ²	AWG 16	identification No. 4
2,5 mm ²	AWG 14	identification No. 5

CDMA 0.3	silver plated	CDMD 0.3	gold plated 1)
CDMA 0.5		CDMD 0.5	
CDMA 0.7		CDMD 0.7	
CDMA 1.0		CDMD 1.0	
CDMA 1.5		CDMD 1.5	
CDMA 2.5		CDMD 2.5	

- characteristics according to EN 61984:
- 10A 400V 6kV 3**
- 10A 400/690V 6kV 2**
- cUL (UL for USA and Canada), CCC *, GL, EAC certified
- * CQC certification being applied for
- rated voltage according to UL/CSA: 600V
- insulation resistance: ≥ 10 GΩ
- ambient temperature limit: -40 °C ... +125 °C
- are made of self-extinguishing thermoplastic resin UL 94 V0
- mechanical life: ≥ 500 cycles
- contact resistance: ≤ 3 mΩ
- the CQ 12 inserts are already supplied with a seal and a screw, which ensure IP66/IP67 protection rating
- for contact crimping instructions, please see the crimping tool section (10A contacts, CDF and CDM series) on pages 534, 538, 544, 546, 548
- for maximum current load, see the following load curves inserts, for more information see page 563



☑ the CR Q12 coding pins (to be ordered separately), allow the user to create 16 different combinations, according to the diagram shown on page 491



CDF and CDM contacts

conductor section mm ²	conductor slot ø A (mm)	conductors stripping length B (mm)
0,14-0,37	0,9	8
0,5	1,1	8
0,75	1,3	8
1,0	1,45	8
1,5	1,8	8
2,5	2,2	6

1) basic or high thickness gold plating page 480

dimensions shown are not binding and may be changed without notice

CQ

enclosures:
size "21.21" page:

insulating type 221 - 222
metallic type 223 - 225
W-TYPE for aggressive environments 369
EMC 387
IP68 416 - 418

inserts, crimp connections



16A crimp contacts normal and for advanced opening silver and gold plated



- inserts and enclosures for applications with temperatures up to 180 °C, available on request
 - can also be used partially fitted with 4 mm² section contacts

description	part No.	part No.	part No.
without contacts (to be ordered separately)			
female inserts for female contacts	CQF 05		
male inserts for male contacts	CQM 05		

16A female contacts

0,14-0,37 mm ²	AWG 26-22	three grooves
0,5 mm ²	AWG 20	with no grooves
0,75 mm ²	AWG 18	one groove (back side)
1 mm ²	AWG 18	one groove
1,5 mm ²	AWG 16	two grooves
2,5 mm ²	AWG 14	three grooves
3 mm ²	AWG 12	one wide groove
4 mm ²	AWG 12	with no grooves

16A male contacts

0,14-0,37 mm ²	AWG 26-22	three grooves
0,5 mm ²	AWG 20	with no grooves
0,75 mm ²	AWG 18	one groove (back side)
1 mm ²	AWG 18	one groove
1,5 mm ²	AWG 16	two grooves
2,5 mm ²	AWG 14	three grooves
3 mm ²	AWG 12	one wide groove
4 mm ²	AWG 12	with no grooves

16A male crimp contacts for advanced opening

0,5 mm ²	AWG 20	with no grooves
0,75 mm ²	AWG 18	one groove (back side)
1 mm ²	AWG 18	one groove
1,5 mm ²	AWG 16	two grooves
2,5 mm ²	AWG 14	three grooves

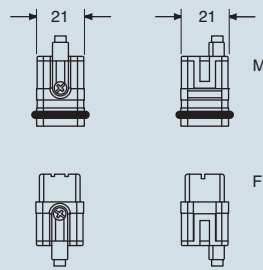
CCFA 0.3	silver plated	CCFD 0.3	gold plated 1)
CCFA 0.5		CCFD 0.5	
CCFA 0.7		CCFD 0.7	
CCFA 1.0		CCFD 1.0	
CCFA 1.5		CCFD 1.5	
CCFA 2.5		CCFD 2.5	
CCFA 3.0		CCFD 3.0	
CCFA 4.0		CCFD 4.0	

CCMA 0.3	gold plated 1)	CCMD 0.3
CCMA 0.5		CCMD 0.5
CCMA 0.7		CCMD 0.7
CCMA 1.0		CCMD 1.0
CCMA 1.5		CCMD 1.5
CCMA 2.5		CCMD 2.5
CCMA 3.0		CCMD 3.0
CCMA 4.0		CCMD 4.0

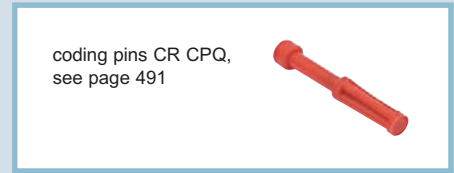
CC 0.5 AN
CC 0.7 AN
CC 1.0 AN
CC 1.5 AN
CC 2.5 AN

- characteristics according to EN 61984:
16A 230/400V 4kV 3
16A 320/500V 4kV 2
- cUL (UL for USA and Canada), CSA, CCC *, GL, EAC certified; * CQC certification being applied for - rated voltage according to UL/CSA: 600V
- insulation resistance: ≥ 10 GΩ
- ambient temperature limit: -40 °C ... +125 °C
- are made of self-extinguishing thermoplastic resin UL 94 V0
- mechanical life: ≥ 500 cycles
- contact resistance: ≤ 1 mΩ
- for maximum current load, see the following load curves inserts, for more information see page 563

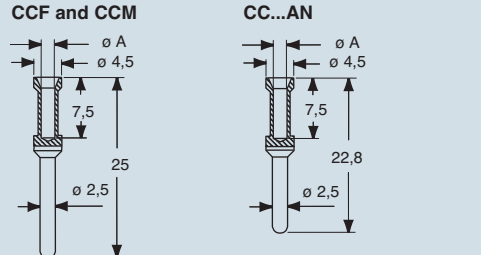
dimensions in mm



contacts side (front view)



dimensions in mm

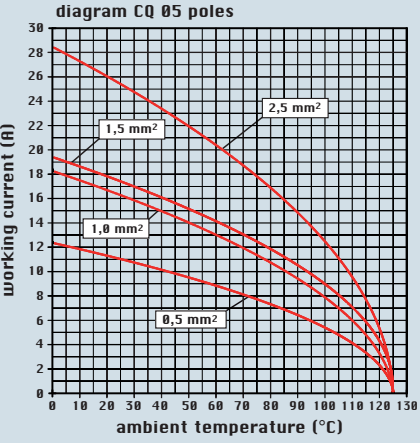


CCF, CCM and CC..AN contacts

conductor section	conductor slot	conductors stripping length
mm ²	ø A (mm)	(mm)
0,14-0,37	0,9	7,5
0,5	1,1	7,5
0,75	1,3	7,5
1,0	1,45	7,5
1,5	1,8	7,5
2,5	2,2	7,5
3	2,55	7,5
4	2,85	7,5

1) basic or high thickness gold plating page 481

- for contact crimping instructions, please see the crimping tool section (16A contacts, CCF, CCM and CC...AN series) on pages 534, 538, 544, 546, 548



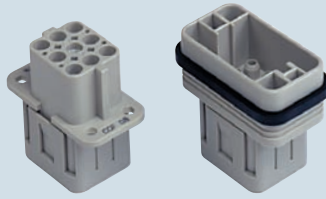
dimensions shown are not binding and may be changed without notice

enclosures:
 size "32.13" page:
insulating type 226 - 227
EMC 388 - 389

- can also be used partially fitted with 4 mm² section contacts



inserts, crimp connections

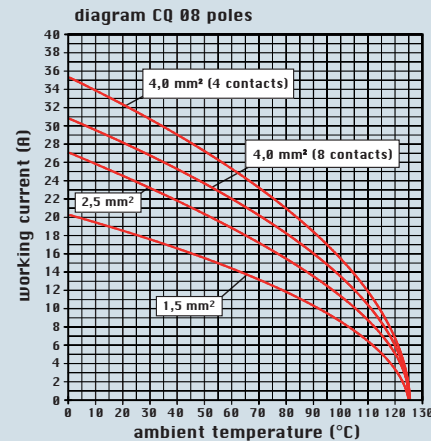


16A crimp contacts normal and for advanced opening silver and gold plated

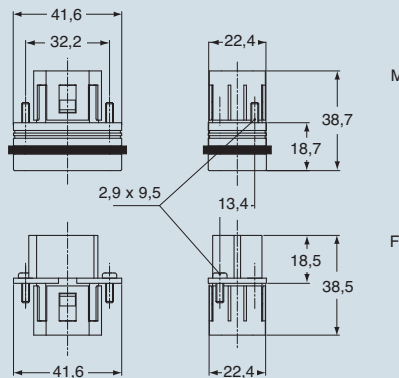


description	part No.	part No.	part No.
without contacts (to be ordered separately) female inserts for female contacts male inserts for male contacts	CQF 08 CQM 08		
16A female contacts 0,14-0,37 mm ² AWG 26-22 three grooves 0,5 mm ² AWG 20 with no grooves 0,75 mm ² AWG 18 one groove (back side) 1 mm ² AWG 18 one groove 1,5 mm ² AWG 16 two grooves 2,5 mm ² AWG 14 three grooves 3 mm ² AWG 12 one wide groove 4 mm ² AWG 12 with no grooves 16A male contacts 0,14-0,37 mm ² AWG 26-22 three grooves 0,5 mm ² AWG 20 with no grooves 0,75 mm ² AWG 18 one groove (back side) 1 mm ² AWG 18 one groove 1,5 mm ² AWG 16 two grooves 2,5 mm ² AWG 14 three grooves 3 mm ² AWG 12 one wide groove 4 mm ² AWG 12 with no grooves 16A male crimp contacts for advanced opening 0,5 mm ² AWG 20 with no grooves 0,75 mm ² AWG 18 one groove (back side) 1 mm ² AWG 18 one groove 1,5 mm ² AWG 16 two grooves 2,5 mm ² AWG 14 three grooves		CCFA 0.3 CCFA 0.5 CCFA 0.7 CCFA 1.0 CCFA 1.5 CCFA 2.5 CCFA 3.0 CCFA 4.0 CCMA 0.3 CCMA 0.5 CCMA 0.7 CCMA 1.0 CCMA 1.5 CCMA 2.5 CCMA 3.0 CCMA 4.0	CCFD 0.3 CCFD 0.5 CCFD 0.7 CCFD 1.0 CCFD 1.5 CCFD 2.5 CCFD 3.0 CCFD 4.0 CCMD 0.3 CCMD 0.5 CCMD 0.7 CCMD 1.0 CCMD 1.5 CCMD 2.5 CCMD 3.0 CCMD 4.0
		silver plated	gold plated 1)
		CC 0.5 AN CC 0.7 AN CC 1.0 AN CC 1.5 AN CC 2.5 AN	

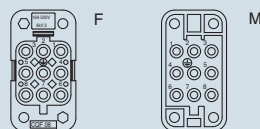
- characteristics according to EN 61984:
16A 500V 6kV 3
16A 400/690V 6kV 2
- cUL (UL for USA and Canada), CSA, CCC *, EAC, certified; * CQC certification being applied for
- rated voltage according to UL/CSA: 600V
- insulation resistance: ≥ 10 GΩ
- ambient temperature limit: -40 °C ... +125 °C
- are made of self-extinguishing thermoplastic resin UL 94 V0
- mechanical life: ≥ 500 cycles
- contact resistance: ≤ 3 mΩ
- for maximum current load, see the following load curves inserts, for more information see page 563



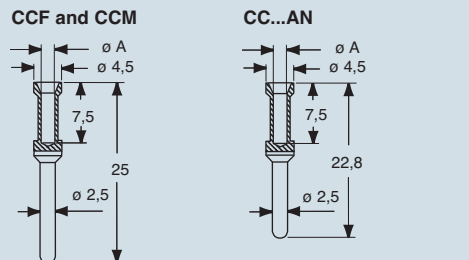
dimensions in mm



contacts side (front view)



dimensions in mm



CCF, CCM and CC..AN contacts

conductor section	conductor slot	conductors stripping length
mm ²	ø A (mm)	(mm)
0,14-0,37	0,9	7,5
0,5	1,1	7,5
0,75	1,3	7,5
1,0	1,45	7,5
1,5	1,8	7,5
2,5	2,2	7,5
3	2,55	7,5
4	2,85	7,5

1) basic or high thickness gold plating page 481

- for contact crimping instructions, please see the crimping tool section (16A contacts, CCF, CCM and CC..AN series) on pages 534, 538, 544, 546, 548

CQ 4 poles (40A - 400/690V) + 2 poles (10A - 250V) + ⊕



enclosures:
size "32.13"

page:

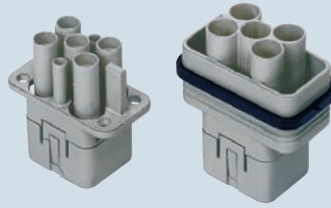
insulating type 226 - 227

EMC 388 - 389

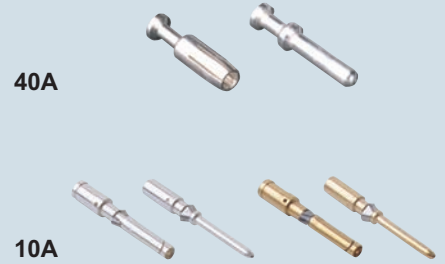
- for contact crimping instructions, please see the crimping tool section (40A contacts, CXF, CXM series and 10A contacts CDF, CDM series) on pages 534, 536, 538, 544, 546, 548



inserts, crimp connections



10A and 40A crimp contacts silver and gold plated



description	part No.	part No.	part No.
-------------	----------	----------	----------

without contacts (to be ordered separately)
female inserts for female contacts
male inserts for male contacts

CQF 04/2
CQM 04/2

40A female contacts

1,5 mm ²	AWG 16
2,5 mm ²	AWG 14
4 mm ²	AWG 12
6 mm ²	AWG 10

40A male contacts

1,5 mm ²	AWG 16
2,5 mm ²	AWG 14
4 mm ²	AWG 12
6 mm ²	AWG 10

10A female contacts

0,14-0,37 mm ²	AWG 26-22	identification No. 1
0,5 mm ²	AWG 20	identification No. 2
0,75 mm ²	AWG 18	identification No. ②
1 mm ²	AWG 18	identification No. 3
1,5 mm ²	AWG 16	identification No. 4
2,5 mm ²	AWG 14	identification No. 5

10A male contacts

0,14-0,37 mm ²	AWG 26-22	identification No. 1
0,5 mm ²	AWG 20	identification No. 2
0,75 mm ²	AWG 18	identification No. ②
1 mm ²	AWG 18	identification No. 3
1,5 mm ²	AWG 16	identification No. 4
2,5 mm ²	AWG 14	identification No. 5

CXFA 1.5
CXFA 2.5
CXFA 4.0
CXFA 6.0

silver plated

CXMA 1.5
CXMA 2.5
CXMA 4.0
CXMA 6.0

CDFA 0.3
CDFA 0.5
CDFA 0.7
CDFA 1.0
CDFA 1.5
CDFA 2.5

silver plated

CDFD 0.3
CDFD 0.5
CDFD 0.7
CDFD 1.0
CDFD 1.5
CDFD 2.5

gold plated 1)

CDMA 0.3
CDMA 0.5
CDMA 0.7
CDMA 1.0
CDMA 1.5
CDMA 2.5

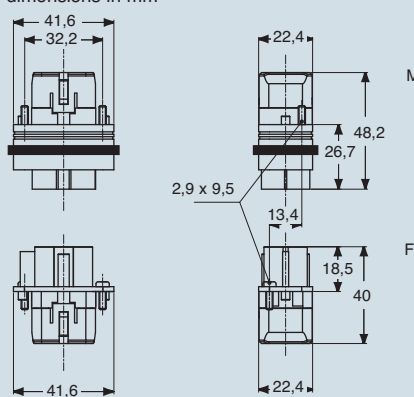
CDMD 0.3
CDMD 0.5
CDMD 0.7
CDMD 1.0
CDMD 1.5
CDMD 2.5

- characteristics according to EN 61984:

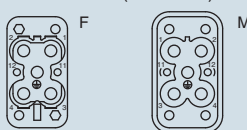
4 poles 40A 400/690V 6kV 3
2 poles 10A 250V 4kV 3

- cUL (UL for USA and Canada), CSA, EAC certified
- rated voltage according to UL/CSA: 600V
- insulation resistance: ≥ 10 GΩ
- ambient temperature limit: -40 °C ... +125 °C
- are made of self-extinguishing thermoplastic resin UL 94 V0
- mechanical life: ≥ 500 cycles
- contact resistance: ≤ 0.3 mΩ (4 poles)
≤ 3 mΩ (2 poles)
- for maximum current load, see the following load curves inserts, for more information see page 563

dimensions in mm



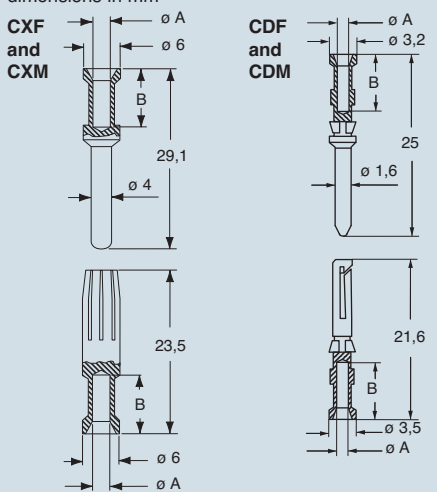
contacts side (front view)



CXF and CXM contacts

conductor section mm ²	conductor slot ø A (mm)	conductors stripping length B (mm)
1,5	1,75	9
2,5	2,25	9
4	2,85	9,6
6	3,5	9,6

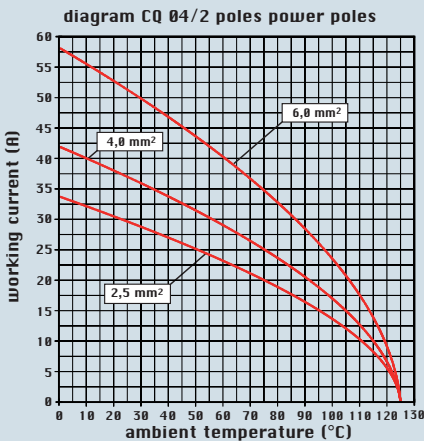
dimensions in mm



CDF and CDM contacts

conductor section mm ²	conductor slot ø A (mm)	conductors stripping length B (mm)
0,14-0,37	0,9	8
0,5	1,1	8
0,75	1,3	8
1,0	1,45	8
1,5	1,8	8
2,5	2,2	6

1) basic or high thickness gold plating page 480



dimensions shown are not binding and may be changed without notice