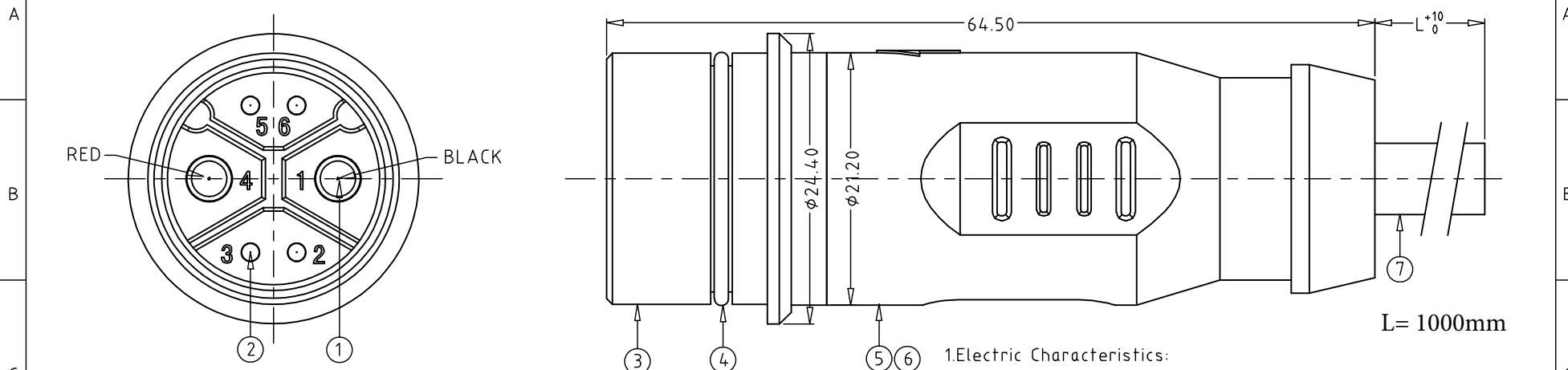


REV:X1

ECN. NO.	REV.	DATE	DESCRIPTION	CHANGE	APPD.
	X1	04/27'2017	INITIAL RELEASE	/	



7	2 POLE CABLE, $\phi 6.0, 2 \times 1.0 \text{mm}^2$, TINNED COPPER, PVC INSULATION(105℃), TPU JACKET(80℃), BLACK COLOR	1PCS
6	INNER MOLD, PVC(105℃), SHORE HARDNESS 95A, UL94V-0, BLACK COLOR	1PCS
5	OUTER MOLD, PVC(105℃), SHORE HARDNESS 95A, UL94V-0, BLACK COLOR	1PCS
4	"O" ring, $\phi 13 \times 1.5$ (TBD), SILICON RUBBER, BLACK COLOR	1PCS
3	INSULATOR, PBT+30% GF(120℃) OR NYLON+30% GF(130℃), UL94V-0, BLACK COLOR	1PCS
2	CONTACT PIN, $\phi 1.50$, BRASS (GB HPB-59-1), 160u" MIN SILVER PLATING OVER ALL 50~100u" NICKEL UNDER PLATING OVER ALL	4PCS
1	CONTACT PIN, $\phi 3.00$, BRASS (GB HPB-59-1), 160u" MIN SILVER PLATING OVER ALL 50~100u" NICKEL UNDER PLATING OVER ALL	2PCS
item no.	Specification	QTY

- 1.Electric Characteristics:
- 1.1:Low level contact resistance:10milliohm Max.
 - 1.2:Dielectric withstanding voltage:700VAC.
 - 1.3:Insulation resistance:20megaohm Min.
- 2.Mechanical Characteristics:
- 2.1:Mating cycle:3000cycle.
 - 2.2:Insertion force:80N MAX.
 - 2.3:Withdrawal force:10N MIN.
- 3.Performance:
- 3.1:Voltage rating:48V AC,60V DC.
 - 3.2:Current rating:
8Amps ($\phi 3.0$ pin and socket),5Amps ($\phi 1.5$ pin and socket).
 - 3.3:Operation temperature:-25℃~+80℃.
- 4.Requirement:
- 4.1:Environmental protection,accord ROHS 2.0.
- 5.Applicable wire:
- $\phi 3.0$ Contact:2.40mm² MAX.
 - $\phi 1.5$ Contact:0.5mm² MAX.
- 6.Degree of protection:
IP67 in mated condition.

Preliminary

MAT'L: /	Higo 上海海固电器设备有限公司 Shanghai Higo Electronic Technology Co., Ltd.	PART NO.: Z624BG P 00 B7 1000
UNITS: mm	TITLE: BATTERY CONNECTOR PLUG	DWG NO.: E-F06MTA50-00
X.±: 5 X°.±: 5°	APPD:	SCALE SHEET REV. N/A 1/1
.X.±: 1 .X°.±: 2°	CHED:	
.XX.±: 0.30 .XX°.±: 1°	DRAW: Chris Xie 04/27'2017	