

Product sheet

Output connector

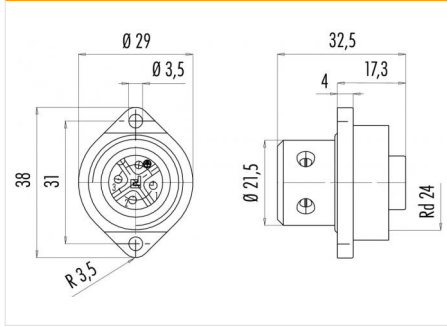


Product	Contacts 3+PE: Female panel mount connector, screw connection	Area	RD24 Power Series 692/693
Pole	3+PE	Article number	09 0212 00 04

Illustration



Scale drawing



Contact Arrangement

	X	Y
1	3,18	-3,18
2	3,18	3,18
3	-3,18	3,18
PE	-3,18	-3,18

You can find the assembly instruction on the next page.

Technical data

Common values

Connector Design	Female panel mount connector
Connector locking system	screw
Termination	Screwing
Wire gauge (mm)	0.5 -2.5 mm ²
Wire gauge (AWG)	20-14
Cable outlet	-
Upper temperature	100 °C
Lower temperature	-40 °C

Electrical values

Rated voltage	400 V
Rated impulse voltage	6000 V
Pollution degree	3
Overvoltage category	III
Material group	III
Rated current (40°C)	16 A
Volume resistivity	≤ 5 mΩ
EMV compliance	not shielded
Degree of protection	IP67
Mechanical operation	> 500 mating cycles

Material

Material of contact	CuZn (Brass)
Contact plating	Ag (Silver)
Material of contact body	PBT
Material of housing	-

Contacts 3+PE: Female panel mount connector, screw

Product

Contacts 3+PE: Female panel mount
connector, screw connection
3+PE

Area
Article number

RD24 Power Series 692/693
09 0212 00 04

Pole

Installation instructions / Mounting cutout

