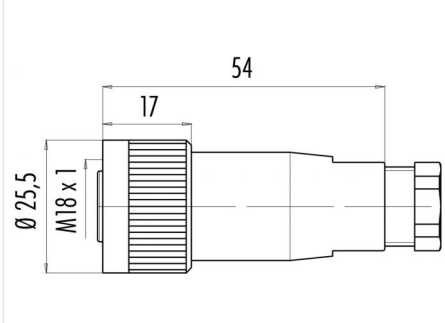


Product Pole	Contacts: 4, female cable connector 4	Area Article number	M18 Series 714 09 0440 010 04
--------------	---	---------------------	---

Illustration



Scale drawing



Contact Arrangement

	X	Y
1	3,18	-3,18
2	3,18	3,18
3	-3,18	3,18
4	-3,18	-3,18

You can find the item description and assembly instruction on the next page.

Technical data

Common values

Connector Design	Female cable connector
Connector locking system	screw
Termination	Screwing
Wire gauge (mm)	1.50 mm ²
Wire gauge (AWG)	16
Upper temperature	85 °C
Lower temperature	-25 °C

Cable data

material housing	-
Insulation single lead	-
Single lead structure	-
Conductor resistance	-
Bending radius cable fixed	-
Bending radius cable movable	-

Electrical values

Rated voltage	250 V
Rated impulse voltage	4000 V
Pollution degree	3
Overvoltage category	III
Material group	III
Rated current (40°C)	cUR 5 A
Volume resistivity	≤ 8 mΩ
EMV compliance	-
Degree of protection	IP67
Mechanical operation	> 50 mating cycles

Material

Material of contact	CuZn (Brass)
Contact plating	CuSnZn (Optaloy)
Material of contact body	PA (UL 94 V-0), PBT (UL 94 V-0)
Material of housing	PA (UL 94 V-0), PBT (UL 94 V-0)

cable outlet: 6.5 - 8 mm, Contacts: 4, Female cable connector, UL approval

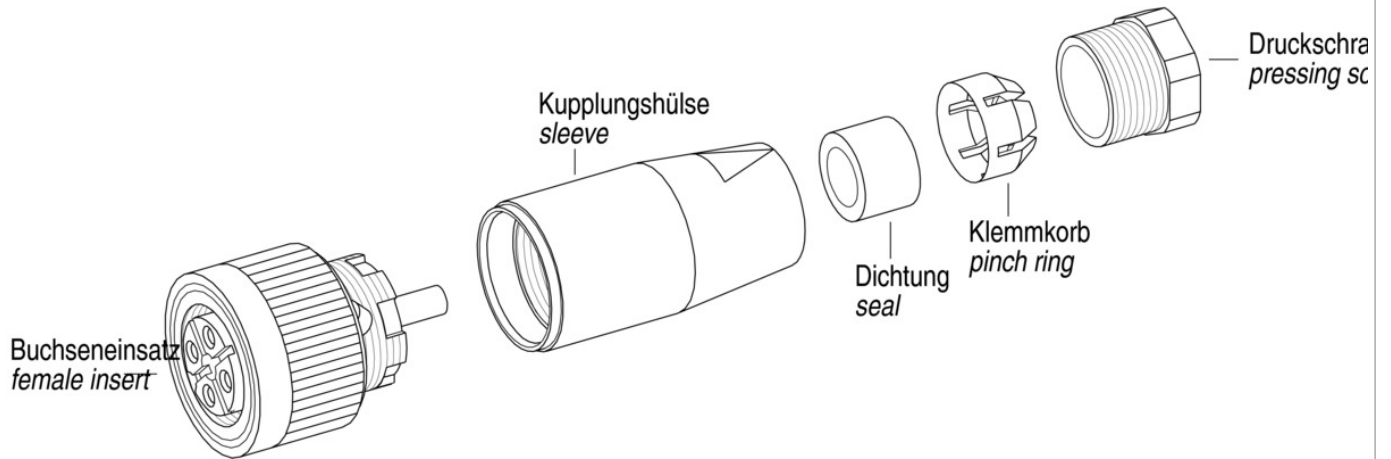
Product
Pole

Contacts: 4, female cable connector
4

Area
Article number

M18 Series 714
09 0440 010 04

Item description



Installation instructions / Mounting cutout

