

Product sheet

Subminiature connector



Product
Pole

Contacts: 4, Female panel mount connector, angled, dip-solder
4

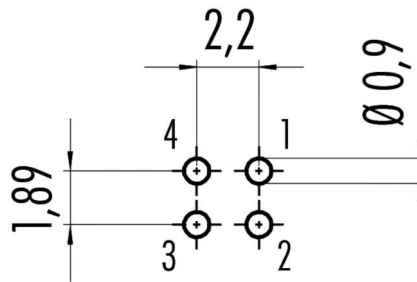
Area
Article number

M9 IP40 Series 711
09 0082 32 04

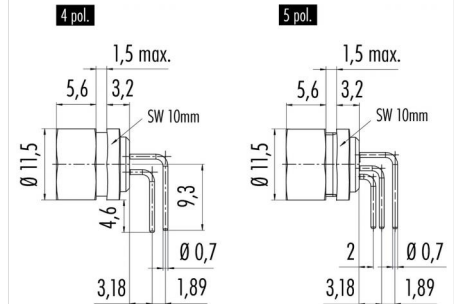
Illustration



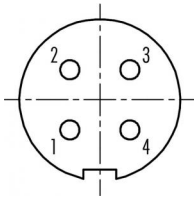
Conductor layout



Scale drawing



Contact Arrangement



	X	Y
1	-1,11	-1,11
2	-1,11	1,11
3	1,11	1,11
4	1,11	-1,11

You can find the assembly instruction on the next page.

Technical data

Common values

Connector Design	Female panel mount connector
Connector locking system	screw
Termination	Solder
Wire gauge (mm)	0.25 mm ²
Wire gauge (AWG)	24
Cable outlet	-
Upper temperature	85 °C
Lower temperature	-40 °C

Cable data

material housing	-
Insulation single lead	-
Single lead structure	-
Conductor resistance	-

Electrical values

Rated voltage	125 V
Rated impulse voltage	1500 V
Pollution degree	1
Overvoltage category	II
Material group	III
Rated current (40°C)	3 A
Volume resistivity	≤ 3 mΩ
EMV compliance	not shieldable
Degree of protection	IP40
Mechanical operation	> 500 mating cycles

Material

Material of contact	CuSn (Bronze)
Contact plating	Au (Gold)
Material of contact body	PA (UL 94 V-0)
Material of housing	CuZn (Brass nickel-plated)

Contacts: 4, Female panel mount connector, angled, dip-solder

Product

**Contacts: 4, Female panel mount
connector, angled, dip-solder
4**

Area
Article number

**M9 IP40 Series 711
09 0082 32 04**

Pole

Installation instructions / Mounting cutout

