

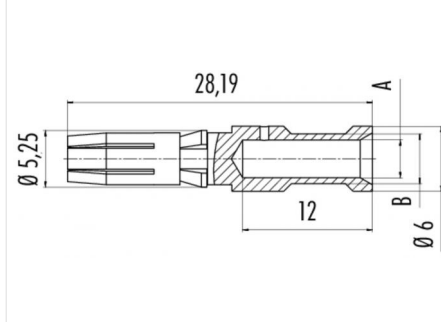
Product description **Female contact, set of 100**

Order number **61 1313 139**

## Illustration



## Scale drawing



## Technical data

|                   |                      |
|-------------------|----------------------|
| Wire gauge (mm)   | 2.50 mm <sup>2</sup> |
| Wire gauge (AWG)  | 14                   |
| Crimp measurement | A = 2.2; B = 3.3     |