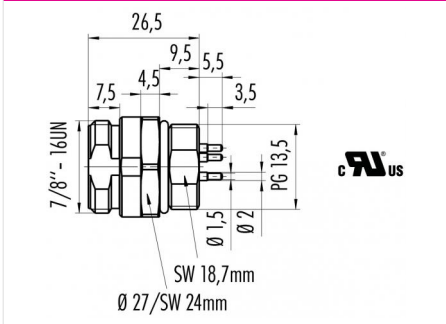


Product	Contacts: 4, Male panel mount connector, dip-solder contacts, with UL approval	Area	7/8" Series 820/870
Pole	4	Article number	09 2449 330 04

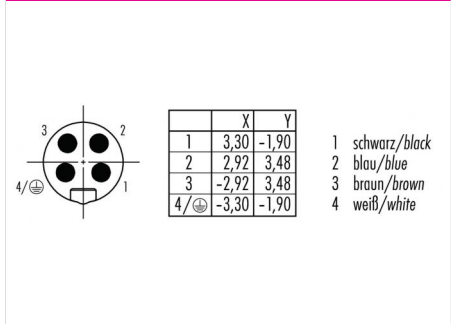
Illustration



Scale drawing



Contact Arrangement



You can find the assembly instruction on the next page.

Technical data

Common values

Connector Design	Male panel mount connector
Connector locking system	Screws 7/8" - 16 UN
Termination	tauchlöten
Wire gauge (mm)	-
Wire gauge (AWG)	-
Cable outlet	-
Upper temperature	85 °C
Lower temperature	-25 °C

Electrical values

Rated voltage	600 V
Rated impulse voltage	2500 V
Pollution degree	3
Overvoltage category	III
Material group	III
Rated current (40°C)	8 A
Volume resistivity	≤ 5 mΩ
Degree of protection	IP67
Mechanical operation	> 100 mating cycles

Cable data

material housing	-
Insulation single lead	-
Single lead structure	-
Conductor resistance	-
Bending radius cable fixed	-
Bending radius cable movable	-
Approval	UL

Material

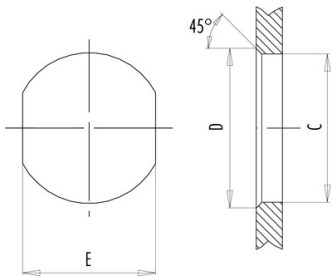
Material of contact	CuZn (Brass)
Contact plating	Au (Gold)
Material of contact body	PUR (UL 94 HB)
Material of housing	Nickel-plated zinc die casting, nickel-plated brass

Contacts: 4, Male panel mount connector, dip-solder contact, with UL approval

Product	Contacts: 4, Male panel mount connector, dip-solder contacts, with UL approval	Area	7/8" Series 820/870
Pole	4	Article number	09 2449 330 04

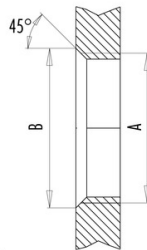
Installation instructions / Mounting cutout

Mit Durchgangsbohrung/With bore hole



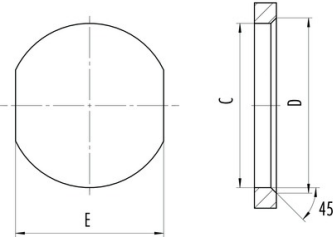
alternativ/alternativ

Mit Gewinde, einschraubbar/With thread to screw in



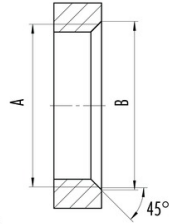
	A	B	C	D	E
PG11	PG11	20,2	18,7	20,2	17,0
PG13,5	PG13,5	22,0	20,5	22,0	18,8
M20x1,5	M20x1,5	21,6	20,1	21,6	17,8

Mit Durchgangsbohrung/With bore hole von vorn verschraubbar/front fastened



alternativ/alternativ

Mit Gewinde, einschraubbar/With thread to screw in



A	B	C	D	E
7/8-16UN-20	23	22,4	23,9	20,2
M26x1,5	27,3	26,2	27,7	24,2