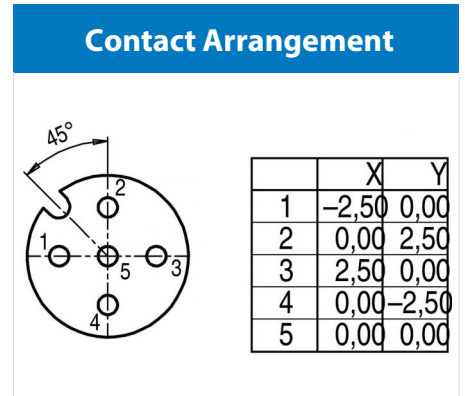
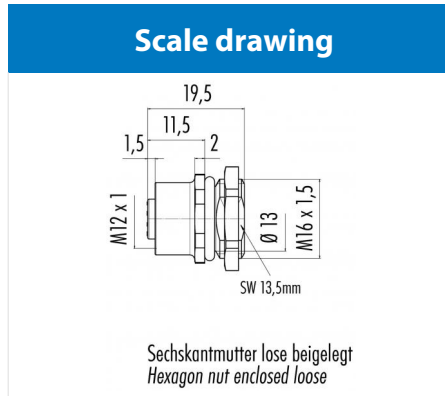


Product	<b>Contacts: 5, Female panel mount connector, plastic housing, screwed from back, soldered, PG 9, M16 x 1.5</b>	Area	<b>M12-A Series 713/763</b>
Pole	<b>5</b>	Article number	<b>86 4332 1002 00005</b>



**Technical data**

**Common values**

Connector Design	Female panel mount connector
Connector locking system	screw
Termination	Solder
Wire gauge (mm)	0.25 mm <sup>2</sup>
Wire gauge (AWG)	24
Upper temperature	85 °C
Lower temperature	-40 °C

**Electrical values**

Rated voltage	125 V
Rated impulse voltage	1500 V
Pollution degree	3
Overvoltage category	II
Material group	II
Rated current (40°C)	4 A
Volume resistivity	≤ 3 mΩ
EMV compliance	not shielded
Degree of protection	IP67
Mechanical operation	> 100 mating cycles

**Material**

Material of contact	CuSn (Bronze)
Contact plating	Au (Gold)
Material of contact body	PA
Material of housing	PA

**Contacts: 5, Female panel mount connector, plastic housing, screwed from back, soldered, M16 x 1.5**