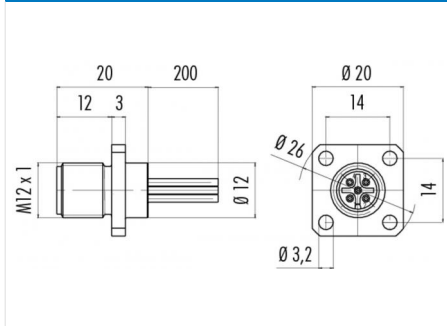


Product	Contacts: 5, Male panel mount connector, with single wires, 0.25 mm², degree of protection without seal IP 40, with seal IP 67 (see accessories)
Area	M12-A Series 713/763
Article number	76 0931 0111 00005-0200

Illustration



Scale drawing



Contact Arrangement

	X	Y
1	2,50	0,00
2	0,00	2,50
3	-2,50	0,00
4	0,00	-2,50
5	0,00	0,00

1 braun/brown
2 weiß/white
3 blau/blue
4 schwarz/black
5 grau/grey

Geschirmte Versionen: Schirm auf Gehäuse
Shielded versions: shield on housing

You can find the assembly instruction on the next page.

Technical data

General features

Connector Design	male panel mount connector
Connector locking system	bolted
Termination	Strands
Wire gauge (mm)	0,25 mm ²
Wire gauge (AWG)	24
Upper temperature	85 °C
Lower temperature	-40 °C

Cable data

Approval 1	UL
------------	----

Electrical parameters

Rated voltage	60 V
Rated impulse voltage	1500 V
Pollution degree	3
Overvoltage category	II
Material group	II
Rated current (40°C)	4 A
Volume resistivity	≤ 3 mΩ
EMV compliance	not shielded
Mechanical operation	> 50 Mating cycles

Material

Material of contact	CuZn (Messing)
Contact plating	Au (gold)
Material of contact body	PA

Product	Contacts: 5, Male panel mount connector, with single wires, 0.25 mm², degree of protection without seal IP 40, with seal IP 67 (see accessories)
Area	M12-A Series 713/763
Article number	76 0931 0111 00005-0200

Installation instructions / Mounting cutout

