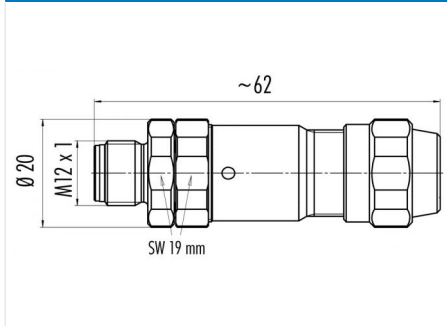


Product	Contacts 4: Cable plug connector, shieldable, screw terminal connection, static ring version, stainless steel model, with UL approval	Area Article number	M12-A Series 713 99 1429 992 04
Pole	4		

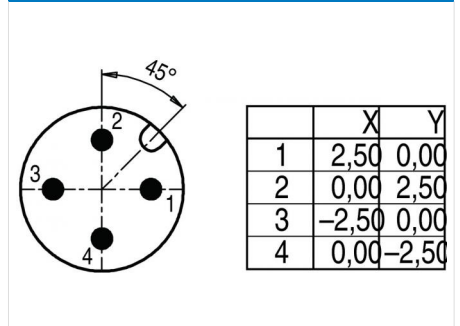
Illustration



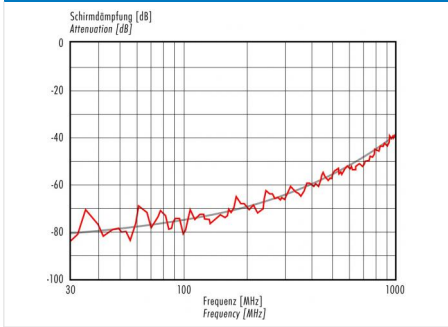
Scale drawing



Contact Arrangement



Attenuation characteristic



You can find the assembly instruction on the next page.

Technical data

Common values

Connector Design	Cable plug connector
Connector locking system	screw
Termination	Screwing
Wire gauge (mm)	0.75 mm ²
Wire gauge (AWG)	18
Cable outlet	6 - 8 mm
Upper temperature	85 °C
Lower temperature	-40 °C

Electrical values

Rated voltage	250 V
Rated impulse voltage	2500 V
Pollution degree	3
Overvoltage category	II
Material group	II
Rated current (40°C)	4 A
Volume resistivity	≤ 3 mΩ
EMV compliance	geschirmt
Degree of protection	IP67
Mechanical operation	> 100 mating cycles

Material

Material of contact	CuZn (Brass)
Contact plating	Au (Gold)
Material of contact body	PA
Material of housing	Stainless steel 1.4404

Contacts 4: Cable outlet 5.5 - 8.6 mm, cable plug connector, shieldable, screw terminal connection, static ring version, stainless steel model, with UL approval

Product

Contacts 4: Cable plug connector, shieldable, screw terminal connection, static ring version, stainless steel model, with UL approval

Area
Article number

**M12-A Series 713
99 1429 992 04**

Pole

4

Installation instructions / Mounting cutout

