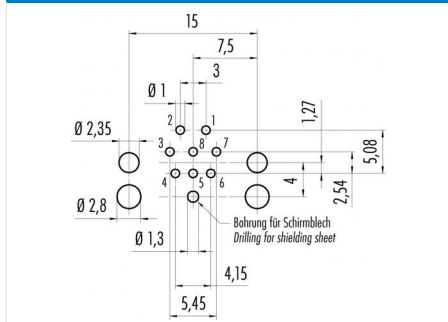


Product	<b>Contacts: 8, Integrated plug for PCB mounting, angled, with UL approval</b>	Area	<b>M12-A Series 713/763</b>
Pole	<b>8</b>	Article number	<b>99 3481 202 08</b>

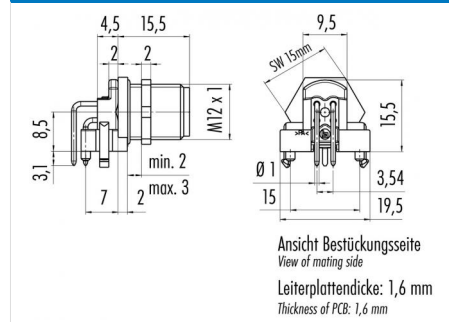
### Illustration



### Conductor layout



### Scale drawing



You can find the assembly instruction on the next page.

## Technical data

### Common values

Connector Design	Integrated male connector
Connector locking system	screw
Termination	dip-solder
Upper temperature	85 °C
Lower temperature	-40 °C

### Electrical values

Rated voltage	60 V
Rated impulse voltage	800 V
Pollution degree	3
Oversvoltage category	II
Material group	III
Rated current (40°C)	2 A
Volume resistivity	≤ 3 mΩ
Degree of protection	IP68
Mechanical operation	> 100 mating cycles

### Material

Material of contact	CuZn (Brass)
Contact plating	Au (Gold)
Material of contact body	PA
Material of housing	CuZn (Brass nickel-plated)

Contacts: 8, Integrated plug for PCB mounting, angled, with UL approval

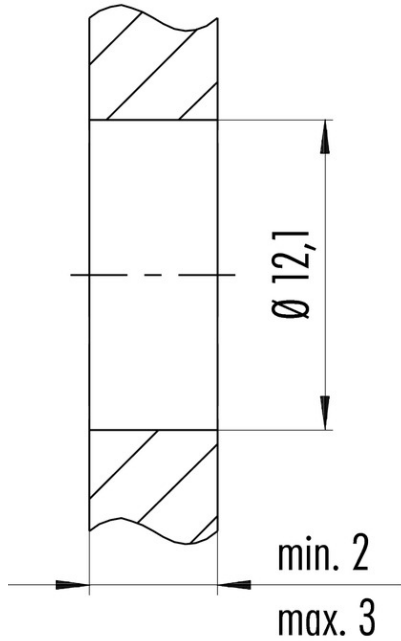
Product  
Pole

Contacts: 8, Integrated plug for PCB  
mounting, angled, with UL approval  
8

Area  
Article number

M12-A Series 713/763  
99 3481 202 08

### Installation instructions / Mounting cutout



Anzugsdrehmoment / *Tightening moment*  
M12 x 1      6,25 Nm