

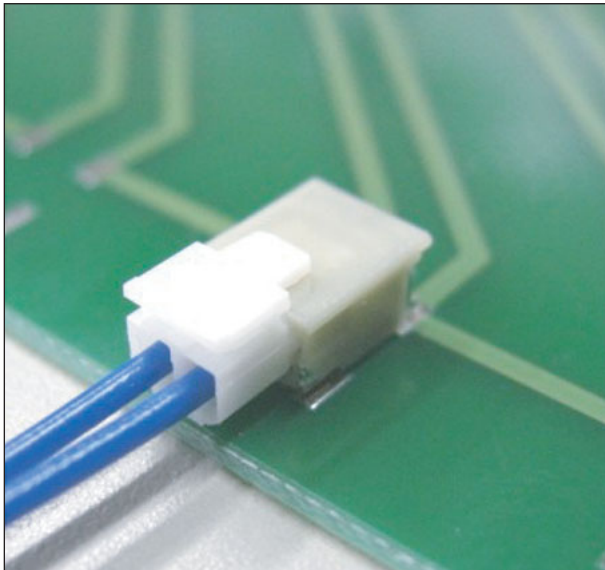
NEW PRODUCT

For W to B connection

SFK CONNECTOR

1.8mm Pitch

This SFK connector is a wire to board connector for connecting power supply and PCB and withstands high voltage. It is used for power supply of LED backlight in Liquid Crystal Display Television set.



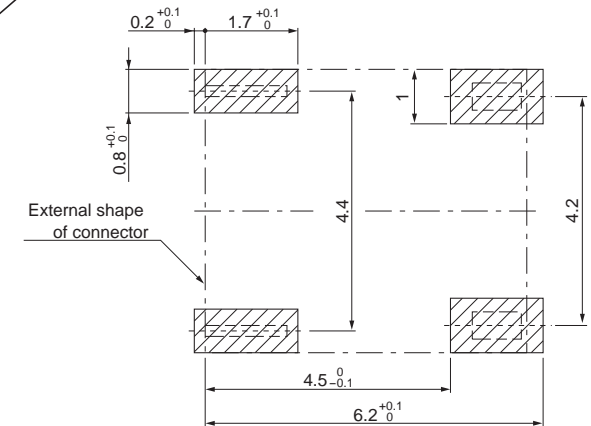
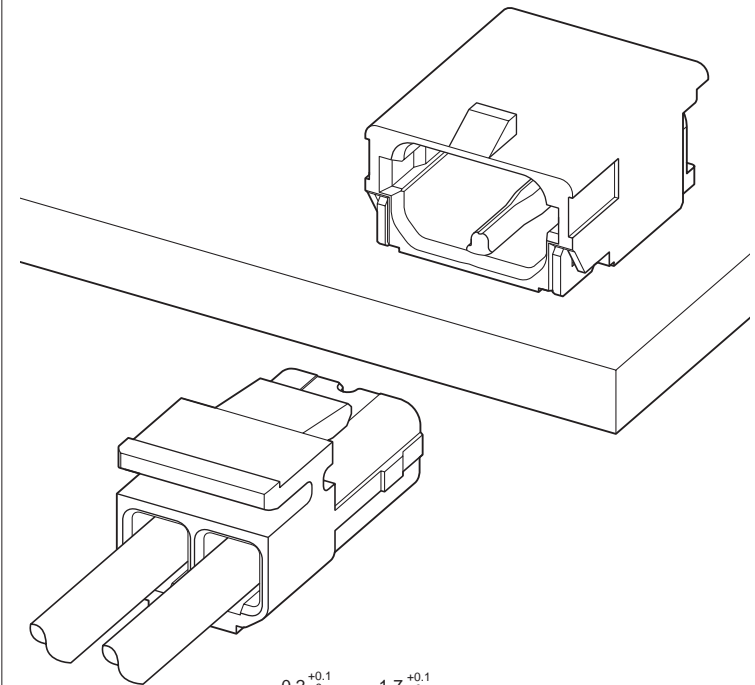
■ Features

- *Withstand high voltage*
- *Secure lock*
- *Halogen free*

■ Specifications

- Current rating : 3.2A AC,DC (AWG#22)
- Voltage rating : 350V AC,DC
- Temperature range : -25°C to +85°C
(including temperature rise in applying electrical current)
- Contact resistance : Initial value /10 mΩ max.
After environmental testing /20 mΩ max.
- Insulation resistance : 1,000MΩ min.
- Withstanding voltage : AC1,700V/ 1minute
- Applicable wire : Wire range /AWG#30 to AWG#22
- No. of Circuits : 2 -circuit
- Part number : SM02B-SFKH
SFKR-02V-S

JST



P.C.B Layout

J.S.T. MFG. CO., LTD.

<http://www.jst-mfg.com>