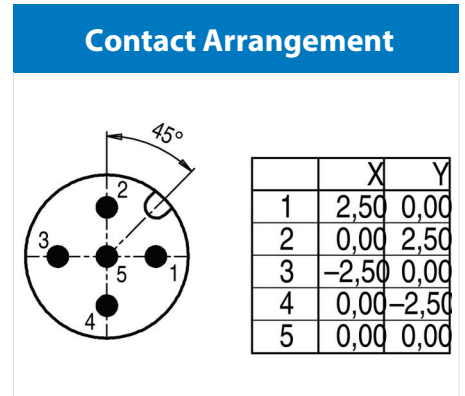
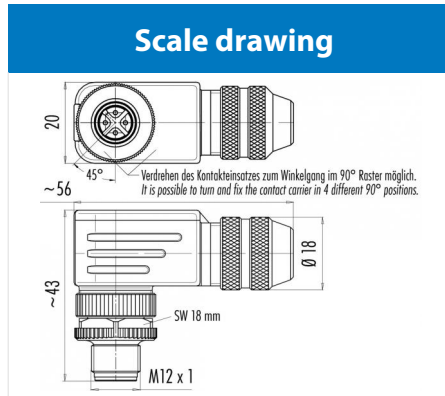


Product	<b>Contacts: 5, Male angled connector, shieldable, screw terminal connection, static ring version, with UL approval</b>	Area	<b>M12-A Series 713</b>
Pole	<b>5</b>	Article number	<b>99 1437 822 05</b>



You can find the item description on the next page.

## Technical data

### Common values

Connector Design	Male angled connector
Connector locking system	screw
Termination	Screwing
Wire gauge (mm)	0.75 mm <sup>2</sup>
Wire gauge (AWG)	18
Cable outlet	6 - 8 mm
Upper temperature	85 °C
Lower temperature	-40 °C

### Electrical values

Rated voltage	125 V
Rated impulse voltage	1500 V
Pollution degree	3
Overvoltage category	II
Material group	III
Rated current (40°C)	4 A
Volume resistivity	≤ 3 mΩ
EMV compliance	geschirmt
Degree of protection	IP67
Mechanical operation	> 100 mating cycles

### Material

Material of contact	CuZn (Brass)
Contact plating	Au (Gold)
Material of contact body	PA
Material of housing	Nickel-plated zinc die casting

Contacts: 5, Cable outlet: 6-8 mm, male angled connector, shieldable, screw terminal connection, static ring version with die-cast threaded ring, with UL approval

Product

**Contacts: 5, Male angled connector, shieldable, screw terminal connection, static ring version, with UL approval**

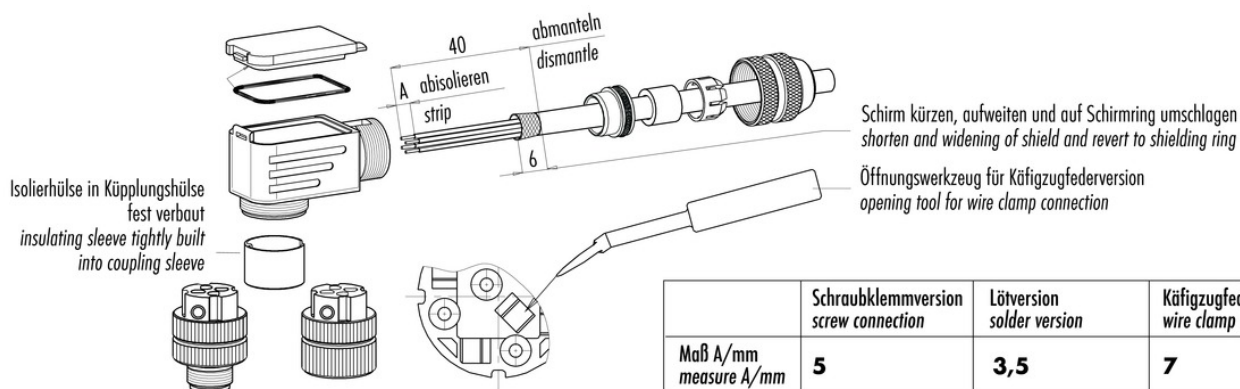
Area  
Article number

**M12-A Series 713  
99 1437 822 05**

Pole

5

### Item description



### Item description

