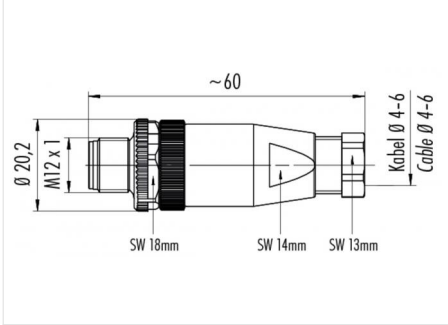


Product **Contacts 4: Female cable connector, crimp termination, cable outlet 6-8 mm**
 Area **M12-A Series 713**
 Article number **99 0529 12 04**

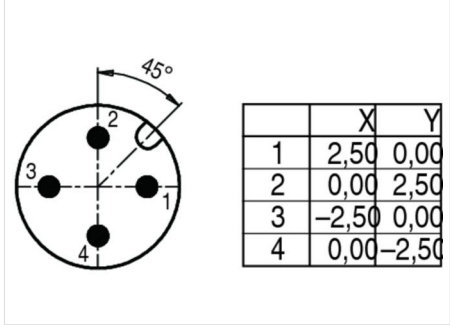
Illustration



Scale drawing



Contact Arrangement



Technical data

General features

Connector Design	Cable Connector
Connector locking system	bolted
Termination	crimp
Wire gauge (mm)	0,34-1,5 mm ²
Wire gauge (AWG)	22-16
Cable outlet	6 – 8 mm
Upper temperature	85 °C
Lower temperature	-40 °C

Electrical parameters

Rated voltage	250 V
Rated impulse voltage	2500 V
Pollution degree	3
Overvoltage category	II
Material group	III
Rated current (40°C)	4 A
Volume resistivity	≤ 3 mΩ
EMV compliance	not shielded
Degree of protection	IP67
Mechanical operation	> 50 Mating cycles

Material

Material of contact	CuZn (Messing)
Contact plating	Au (gold)
Material of contact body	PA