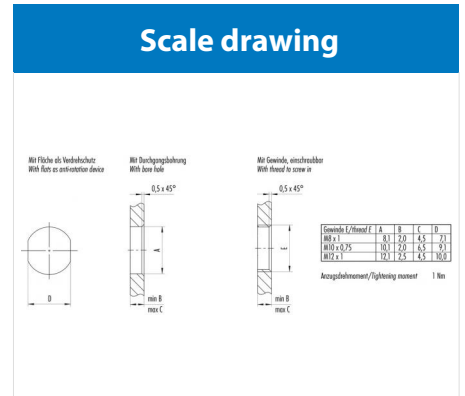
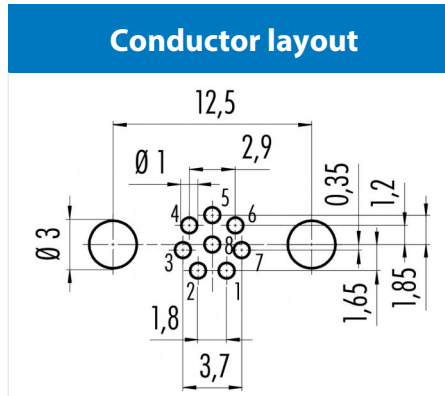
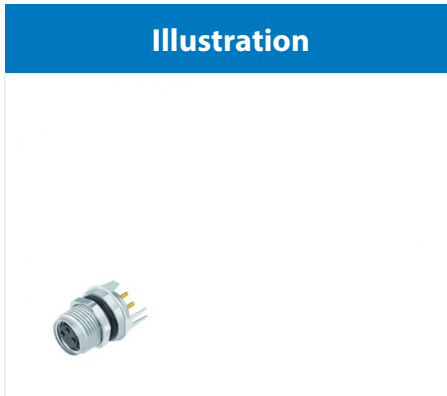


Product	<b>Contacts: 8, female panel mount connector, front mounting, with shielding sheet, dip-solder</b>	Area	<b>M8 Series 768/718</b>
Pole	<b>8</b>	Article number	<b>09 3426 81 08</b>



## Technical data

### Common values

Connector Design	Female panel mount connector
Connector locking system	screw
Termination	dip-solder
Upper temperature	85 °C
Lower temperature	-40 °C

### Electrical values

Rated voltage	30 V
Rated impulse voltage	800 V
Pollution degree	3
Overvoltage category	II
Material group	II
Rated current (40°C)	1.5 A
Volume resistivity	≤ 3 mΩ
Degree of protection	IP67
Mechanical operation	> 100 mating cycles

### Material

Material of contact	CuSn (Bronze)
Contact plating	Au (Gold)
Material of contact body	PA (UL 94 HB)
Material of housing	Nickel-plated zinc die casting

Contacts: 8, female panel mount connector, front mounting, with shielding sheet, dip-solder