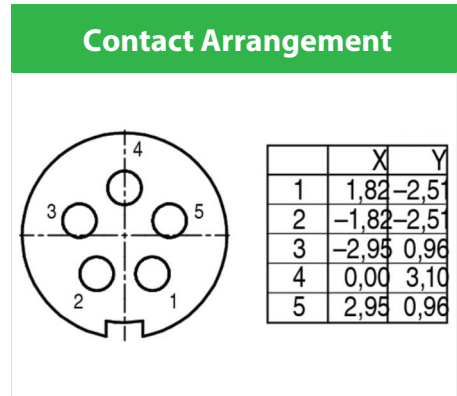
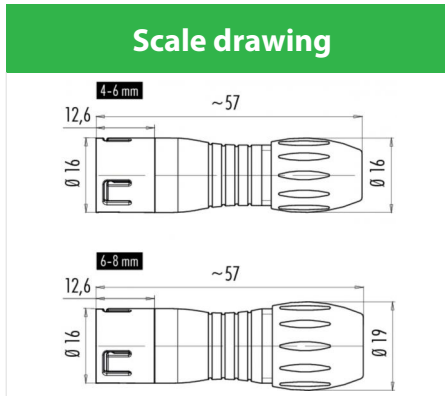


# Product sheet

## Connectors for medical applications



Product	<b>Contacts: 5, Female cable connector, cable outlet 4 - 6 mm, green</b>
Area	<b>Snap-in IP67, miniature Series</b>
Article number	<b>99 9114 470 05</b>



You can find the item description on the next page.

## Technical data

### General features

Connector Design	Female cable connector
Connector locking system	snap
Termination	solder
Wire gauge (mm)	0,75 mm <sup>2</sup>
Wire gauge (AWG)	20
Cable outlet	4 – 6 mm
Upper temperature	85 °C
Lower temperature	-40 °C

### Electrical parameters

Rated voltage	125 V
Rated impulse voltage	1500 V
Pollution degree	2
Overvoltage category	II
Material group	II
Rated current (40°C)	5 A
Volume resistivity	≤ 3 mΩ
EMV compliance	not shielded
Degree of protection	IP67

### Material

Material of contact	CuSn (Bronze)
Contact plating	Au (gold)
Material of contact body	PA (UL 94 V-0)

Product **Contacts: 5, Female cable connector, cable outlet 4 - 6 mm, green**

Area **Snap-in IP67, miniature Series**  
Article number **99 9114 470 05**

Item description

